

Section III. Installing the Carrier

Tools Needed:

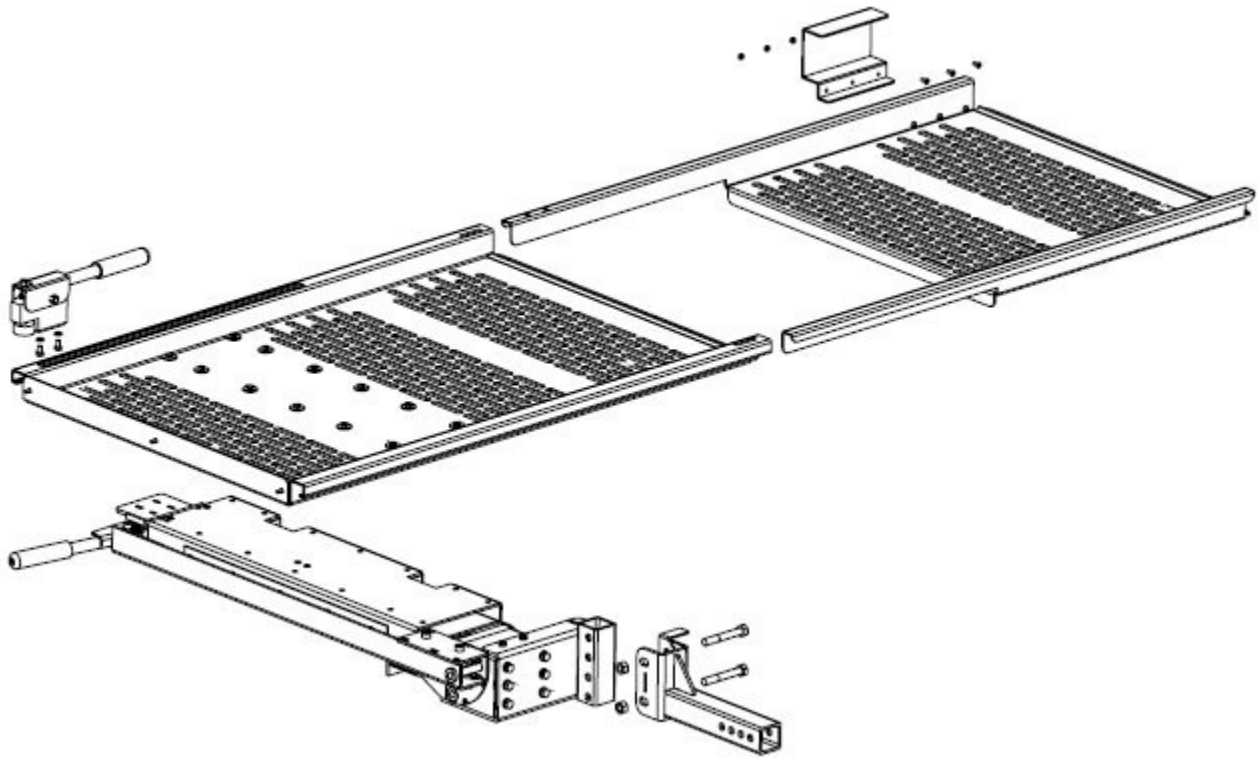
7/16" Hex Socket (1 Required)

3/4" Wrenches (2 Required)

5/16" Wrench (1 Required)

Philips Screwdriver (1 Required)

Model 310+311 Universal Carrier with Slide Out Ramp – Full Assembly View



Installation Instructions:

The Model 310+311 Universal Carrier with Slide Out Ramp comes with one hitch attachment for either a class 2 or class 3 hitch. (The class of hitch should have been specified at the time of order) Make sure the attachment included is for the correct class of hitch.

Attach the hitch attachment to the base of the carrier (**figure 1**) using the 1/2-13 x 3 1/2" hex head bolts and the 1/2-13 hex lock nuts.

Use one of the 3/4" wrenches to hold the first hex head bolt, while using the other 3/4" wrench to tighten the matching hex lock nut. Following the above, tighten the second hex lock nut and bolt.

Note: Make sure lock nuts are as tight as possible

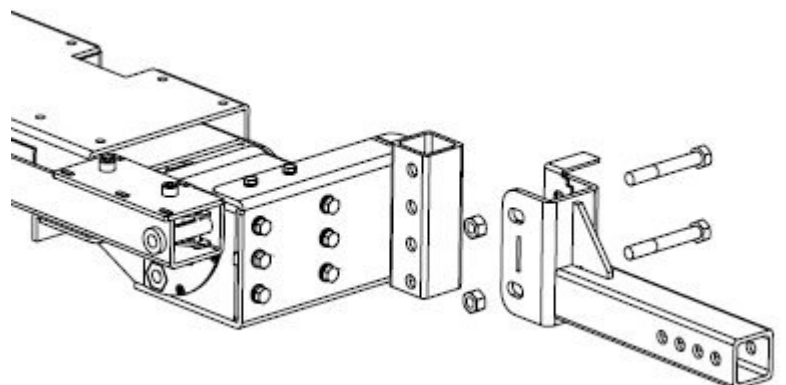


figure 1

Section III. Installing the Carrier (Continued)

Attach the assembled carrier base/hitch attachment to the hitch of the vehicle making sure that the base unit is parallel to the ground. Use the remaining 1/2-13 x 3 1/2" hex head bolt and 1/2-13 hex head lock nut to secure the unit in the hitch receiver.

Attach the platform to the carrier base/hitch attachment assembly using the 1/4-20 x 1/2" hex head bolts and the 1" OD washers. Make sure the holes of the platform are aligned with the threaded holes of the base (**figure 2**)

Make sure that the platform is parallel to the ground

Using the 7/16" hex socket, tighten all the bolts as much as possible.

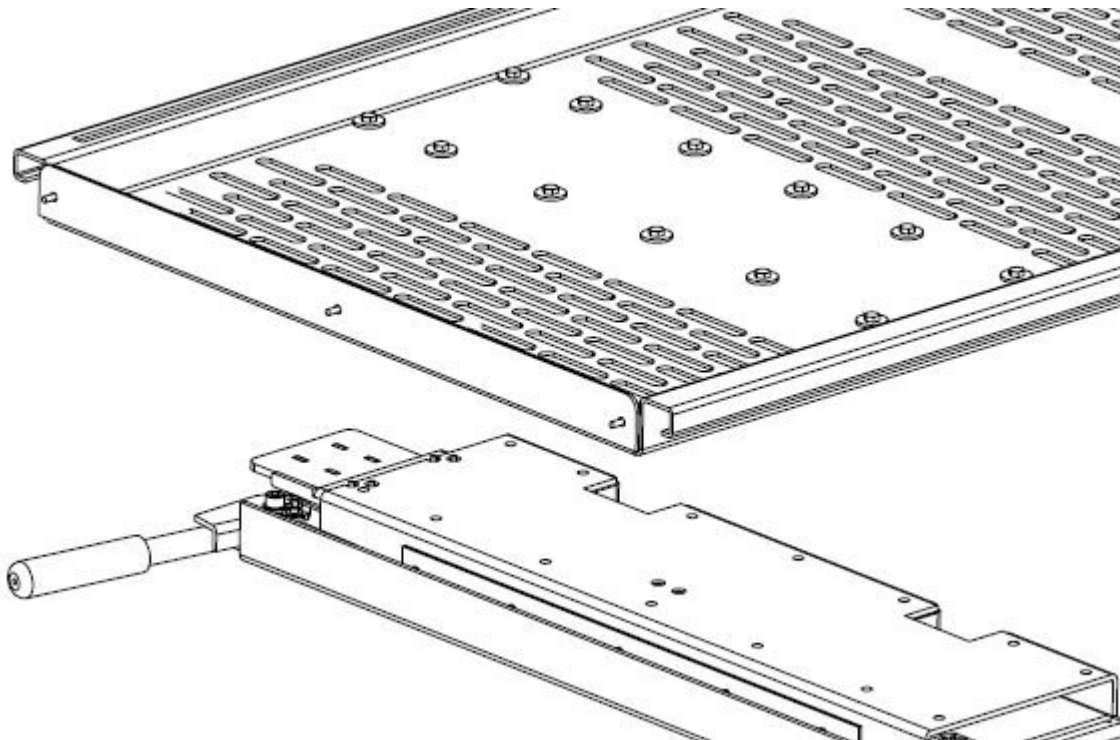


figure 2

Attach the handle to the slide out ramp (**figure 3**) using the 10-32 x 1/2" flat head machine screws and the 10-32 hex nuts with lock washers.

Use the Philips screwdriver to hold the first flat head machine screw, while using the 5/16" wrench to tighten the matching hex nut with lock washer. Following the above, tighten the second & third hex nuts with lock washers and flat head machine screws.

Note: Make sure hex nuts with lock washers are as tight as possible

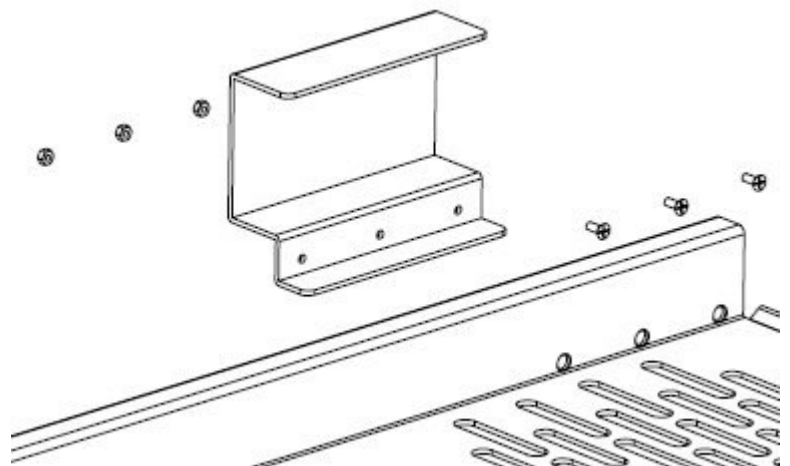


figure 3

Section III. Installing the Carrier (Continued)

Insert the assembled slide out ramp with handle into the platform of the carrier (**figure 4**)

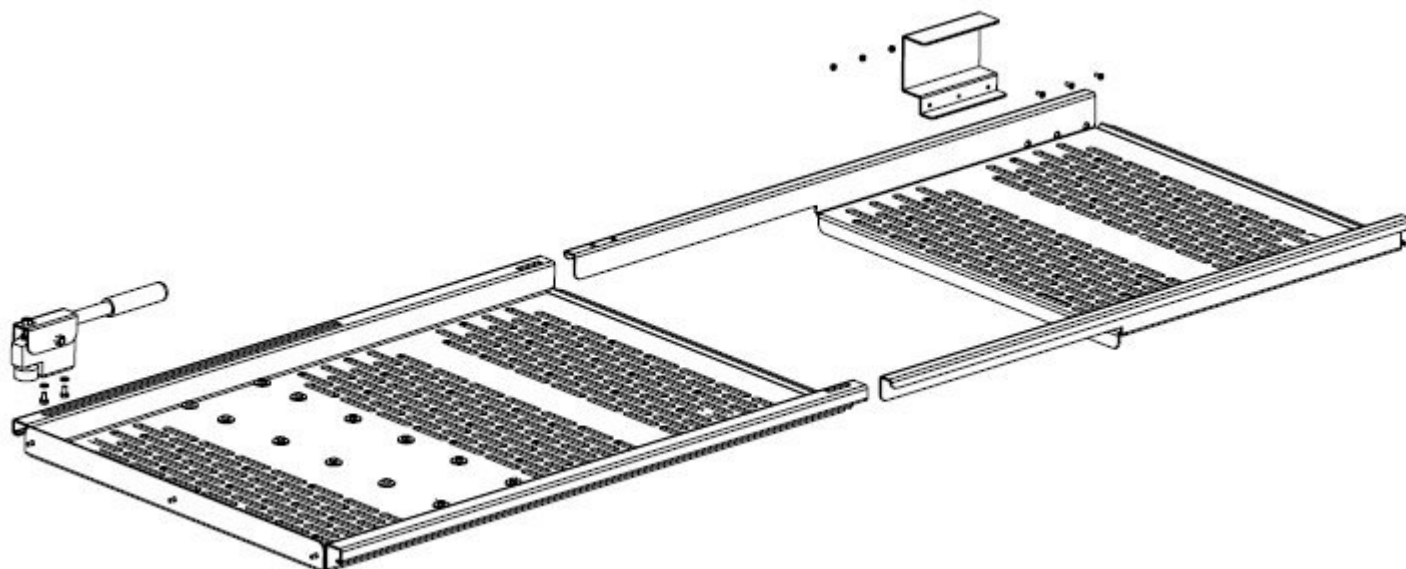


figure 4

Attach the brake to the carrier platform/slide out ramp (**figure 5**) using the 1/4-20 x 1/2" hex head bolts and the 1/4" lock washers.

Using the 7/16" hex socket, tighten the bolts as much as possible.

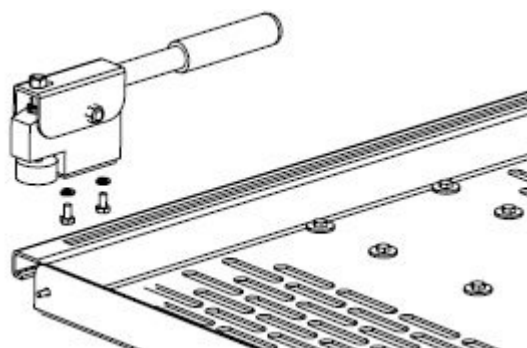


figure 5

Be sure to check the following prior to operation of the carrier:

- The carrier must be securely attached to the receiver of the hitch.
- The bottom of the carrier must be at least 8" - 16" from the ground and parallel. The angle of incline increases as you increase the height of the hitch connection. You will want to have the hitch connection as high as possible while still allowing easy loading of your chair/scooter.
- Inspect the carrier making sure that there are no damaged parts and that the carrier is in good operating condition
- Make sure the weight capacity of the carrier (225 LBS) will not be exceeded
- Make sure the tongue weight capacity of your hitch will not be exceeded