

Section IV. Operating the Carrier

The Model 310+311 Universal Carrier with Slide Out Ramp has been designed with a step release to tilt the platform for loading and unloading of your scooter or powerchair. The carrier also includes a lift assist and will automatically lock in place when lifted to the storage position.

Loading the Carrier:

Push the brake handle down and pull towards you releasing the slide out ramp to the fully extended position. Return the brake to the original position, locking the slide out ramp in place.

After verifying that there are no objects located underneath the carrier, press the step release to tilt the platform & slide out ramp.

DO NOT Ride your powerchair or scooter onto the platform.

The powerchair or scooter **MUST** be loaded **BACKWARDS** onto the carrier platform for proper weight distribution. Carefully load your powerchair or scooter onto the platform making sure it passes the tilting point. The platform should then automatically lock into place.

If the carrier platform does not automatically lock into place, apply pressure to the end of the platform until a click is heard signifying the carrier is locked into position and secure.

Push the brake handle and push back in track. While continuing to pull the brake handle towards you, slide the ramp underneath the carrier platform. Return the brake to the original position, locking the slide out ramp in place.

Securing the Powerchair or Scooter:

A set of 3 ratchet straps are included with your Model 310+311 Universal Carrier with Slide Out Ramp. The ratchet straps **MUST** be used to secure your powerchair or scooter to the platform.

Determine the best way to secure your powerchair or scooter to the platform. Insert the hooks of the ratchet straps into the slots of the carrier, connect the buckle to the receiver of the strap then tighten. Make sure your powerchair or scooter is secure and does not move in any direction.

Make sure any removable items of your powerchair or scooter are secured or removed before transit.

The Model 321 Stop Plate (available for purchase separately) adds additional security by preventing powerchairs or scooters with larger tires from rolling off the platform when loading.

Section IV. Operating the Carrier (Continued)

Unloading the Carrier:

Remove the 3 Ratchet Straps from the powerchair or scooter and the carrier platform.

Pull the brake handle towards you releasing the slide out ramp to the fully extended position. Return the brake to the original position, locking the slide out ramp in place.

After verifying that there are no objects located underneath the carrier, press the step release to tilt the platform & slide out ramp

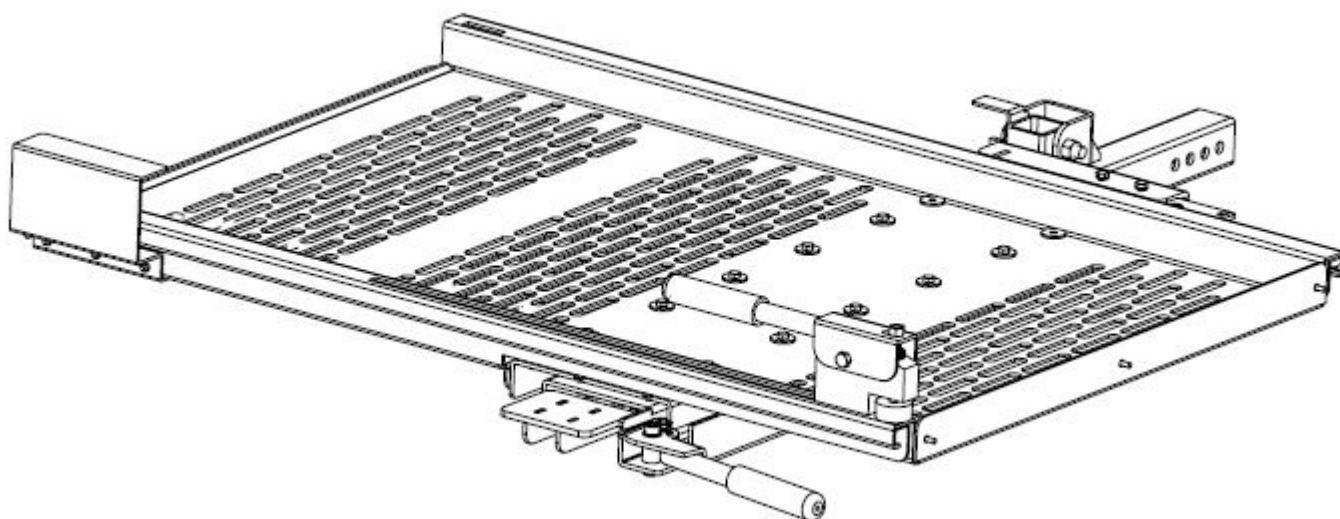
Remove the powerchair or scooter from the platform.

DO NOT Ride your powerchair or scooter off of the platform.

Storage Position:

After removing the powerchair or scooter from the platform, press down on the end of the platform until it locks into place.

Push the brake handle towards you unlocking the slide out ramp. While continuing to pull the brake handle towards you, slide the ramp underneath the carrier platform. Return the brake to the original position, locking the slide out ramp in place.



Pull the torsion spring handle towards you while lifting the carrier towards the vehicle. Lift the carrier until it is in the upright position then release the handle so that the carrier locks into place.