



WheelChair Carrier

Taking You Where You Want To Go...

203 Matzinger Road

Toledo, OH 43612

Phone: (419) 478-4423

Toll Free: (800)-541-3213

Fax: (419) 478-4425

www.WheelChairCarrier.com

E-mail: Admin@wheelchaircarrier.com

Swing Away

Model 130

Installation Guide & Owners Manual



CAUTION: Read and follow all installation instructions and operating instructions before the first use of this product.

Save this manual for future reference.



Introduction

Congratulations on your new *WheelChair Carrier* product purchase! The Swing Away Model 130 is one of the easiest ways to gain access to the rear of your vehicle. This manual has been written to be used as an installation guide as well as an operation guide for the end user.

Before installing, be sure to have the proper hitch installed on your vehicle. Consult the Hitch Manufacture for load ratings prior to operation of your lift. **Never** exceed the Hitch load rating set from the Hitch Manufacture. The Warrantee will be voided if the recommended tongue weight is exceeded. [Tongue weight: Weight of Lift and accessories + Weight of Scooter or Power Chair. See product weights below.]

Both installers and operators must read all of the available manuals thoroughly before attempting any installation, operation or maintenance of the Swing Away Model 130.

If you have any questions or comments concerning the installation operation of this product, please contact your local dealer or Wheelchair Carrier for additional technical information.



CAUTION: The Swing Away is rated at 350 lbs. Do not apply more than 350 lbs onto the electric lift Platform.

Product Weight:

Swing Away Model 130: **34 lbs.**

Safety



CAUTION: Do not operate our carriers without being satisfactorily instructed in the proper operation of carrier by the dealer or without reading operation manual thoroughly.

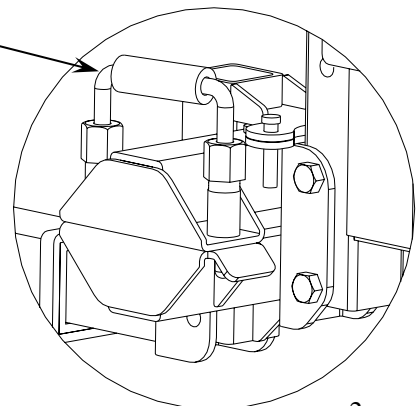
Our wheelchair carriers have been designed and engineered for years of trouble free performance. Although with everyday use some parts may become loose or worn. Regularly inspect your carrier for any worn, loose, or damaged parts. If you find anything upon inspection, **DO NOT USE THE CARRIER!** Contact your local dealer or WheelChair Carrier for any repairs that need to be made. **Failure to act may cause severe injury!**

Our wheelchair carrier should only be used for the loading and unloading of wheelchairs for which it is designed. **DO NOT** add or modify any part of the carrier system without first contacting the manufacturer of the carrier. Any modifications may void any warranties as well as compromise the structural integrity of the carrier.

Maintenance

- Periodically grease the Slam Latch pins.
- Regularly check and tighten all nuts and bolts on the carrier.
- Regularly check for paint chips and touch up any bare metal with a good black enamel or lacquer to inhibit rust. Wheelchair Carrier has custom matched paint ready to order.

Slam Latch Pin



SWING AWAY MODEL 130 INSTALLATION PROCEDURE

The Swing Away feature can be added to a Class II [1-1/4" Square] or Class III [2" Square] hitch only. The Swing Away feature can be added to the Lift 'n' Go (Model #210) to allow comfortable access to the rear of any vehicle.



WARNING: Scooter or powerchair must be unloaded off the platform prior to opening the Swing Away.

Tools required: (2) 3/4" Wrenches

Step 1: Carefully unpack the swing away.

Step 2: Attach Swing Away to hitch attachment using (2) 1/2-13 x 3" bolts and lock nuts provided.

[See Fig A]

Step 3: Slide the Hitch Adapter into the hitch as far as it will go. Insert the Bolt into the Spacer, through the Hitch, through the Hitch Adapter and tighten using the Lock Nut. Make sure the Spacer is pushing the Hitch Adapter tight against the inside of the Hitch. This will ensure a solid connection. [See Fig B]

Step 4: Attach the Lift N Go to the Swing away. Secure in place using (2) 1/2-13 X 3" Bolts and Lock Nuts. Choose the two holes that allow optimum working height of carrier. [12" to 15" from ground to bottom of extended platform] [See Fig C]

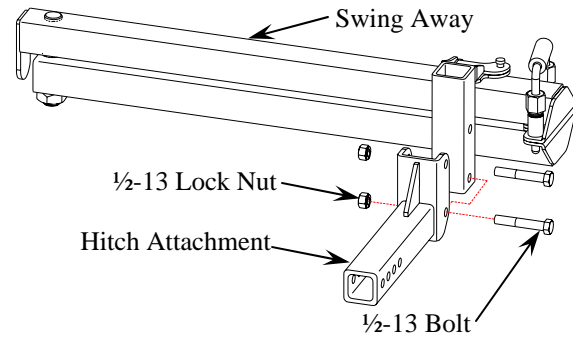


FIG A

FIG B

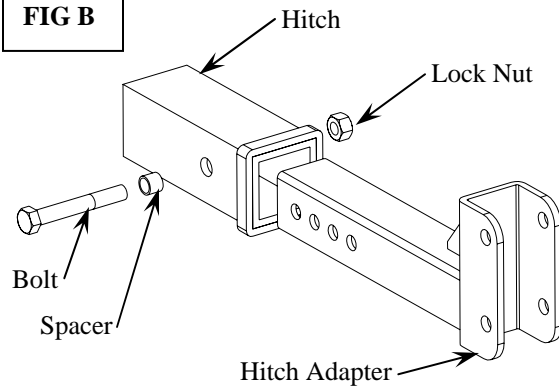
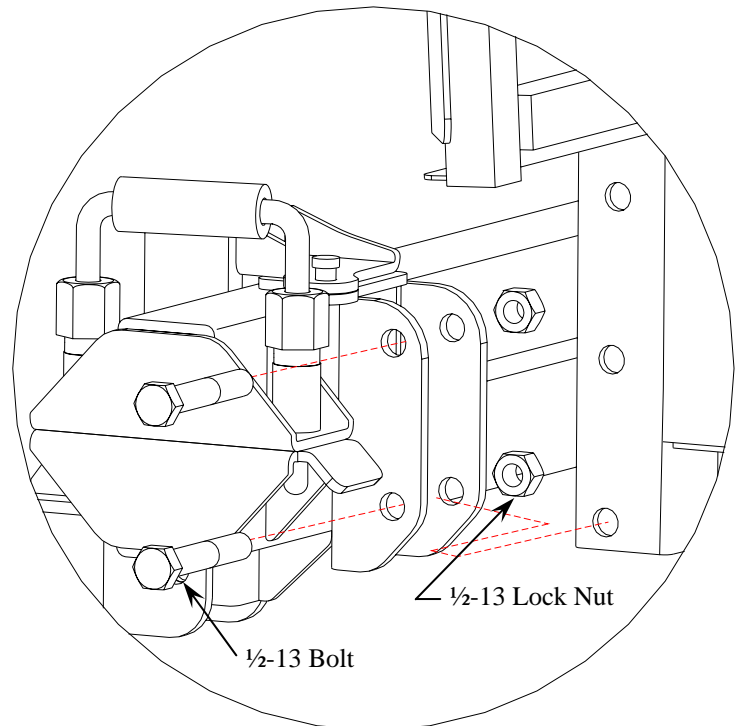
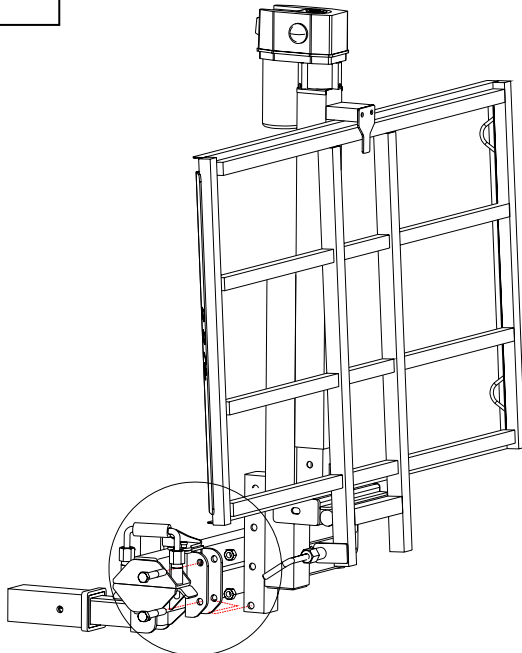


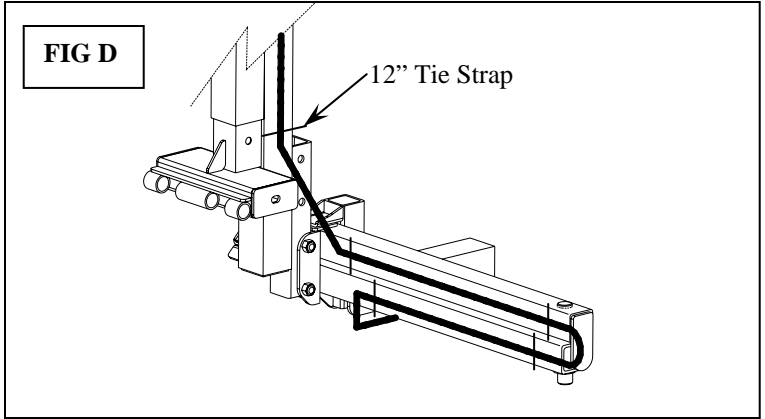
FIG C



SWING AWAY MODEL 130 INSTALLATION PROCEDURE [cont'd]

Step 5: Routing the wires along the Swing Away. Be sure the swing away can open and close without damaging the power and ground wires. [See Fig D]

Step 6: Secure wires with 12" Tie Straps included.



SWING AWAY MODEL 130 OPERATION PROCEDURE

CAUTION: The vehicle is to be on level ground during use of the Swing Away. Failure to do so may result in operator losing control of the lift causing damage to persons and property.

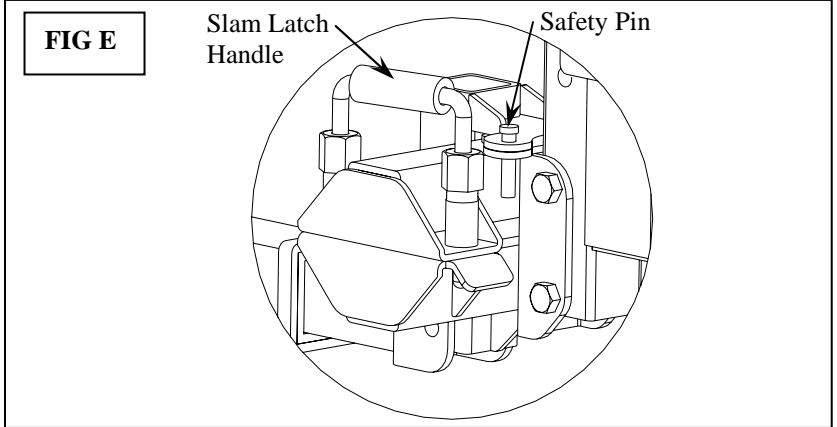
CAUTION: The Safety Pin must Always be installed during use.

Opening the Swing Away [See Fig E]

Step 1: Temporarily Remove the Safety Pin.

Step 2: Pull up on the plastic Handle of the slam latch.

Step 3: While pulling up on the plastic Handle, push the platform away from the vehicle and swing away.



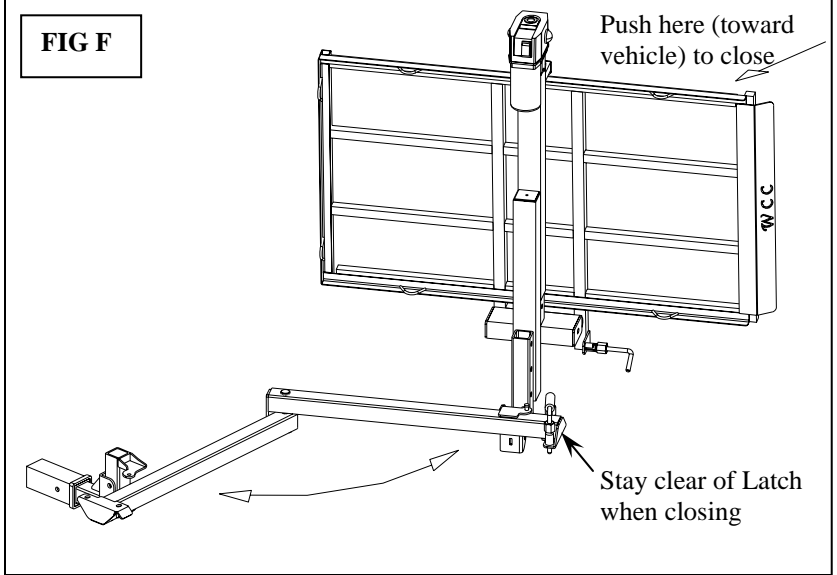
Closing the Swing Away [See Fig F]

Keep clear of latch

Step 1: Push platform toward the vehicle and the slam latch will automatically lock the swing away in place.

Step 2: Ensure the Latch is fully engaged.

Step 3: Insert Safety Pin.





WheelChair Carrier

Taking You Where You Want To Go...

3 Year Transferable Limited Warranty

Every effort has been made to insure high quality in material and workmanship of our products. Manufacturer warrants all products to be free of defects in material and/or workmanship for three (3) years from date of original purchase.

EXCEPTIONS: 1 year warranty on all Electrical components including motor and actuator. All custom orders have a 90~day warranty.

CARRIERS: All carriers are warranted to be free of defects in material and/or workmanship for three (3) years from date of original purchase when used in accordance with manufacturer installation and operating instructions. This warranty does not cover damage due to abuse, misuse, accident, or use of unauthorized attachments or modifications. Protective finish coating on carriers is not guaranteed in as much as the manufacturer is not responsible for the use (abuse or natural wear and tear) of the product. The manufacturer and/or selling agents of carriers will not be responsible in any way for damage to, or loss of, item(s) being carried or falling from carriers or damages said item(s) may cause on or off carriers. All shipping charges for parts under warranty must be prepaid by the customer.

TRANSPORT COVERS: Transport covers are guaranteed free of defects in material or workmanship for one (1) year from time of purchase. Covers are not guaranteed against rips, holes, or damage due to improper installation, abuse, misuse, alteration, or environmental factors beyond our control.

RETURN POLICY

All returns must be made within 30 days from the date of purchase unless due to defect. Written authorization **MUST** be obtained from *WheelChair Carrier, Inc.* prior to the return of any merchandise for any reason, and all transportation costs must be prepaid. **NO RETURNS** on custom orders. Authorized returns for credit only are subject to a 25% restocking charge, plus any cost incurred in restoring the merchandise to a resalable condition. Freight charges cannot be credited.

**WHEELCHAIR CARRIER, INC.
203 MATZINGER ROAD
TOLEDO, OH 43612**

PHONE: (419) 478-4423 or call toll free at 1-800-541-3213

FAX: (419) 478-4425

www.WheelChairCarrier.com