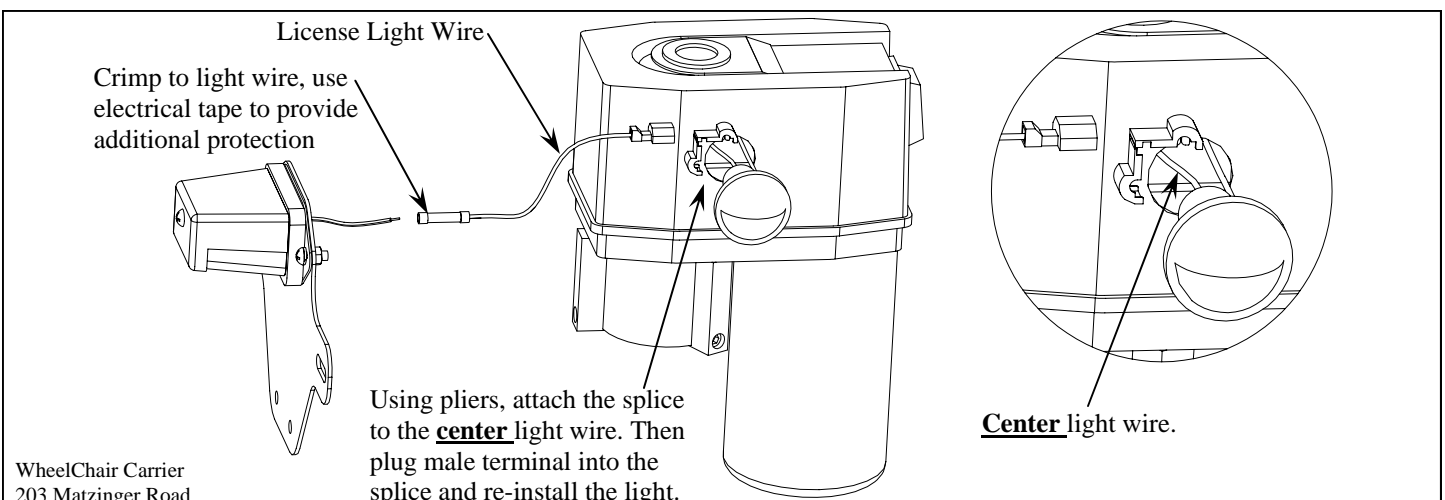
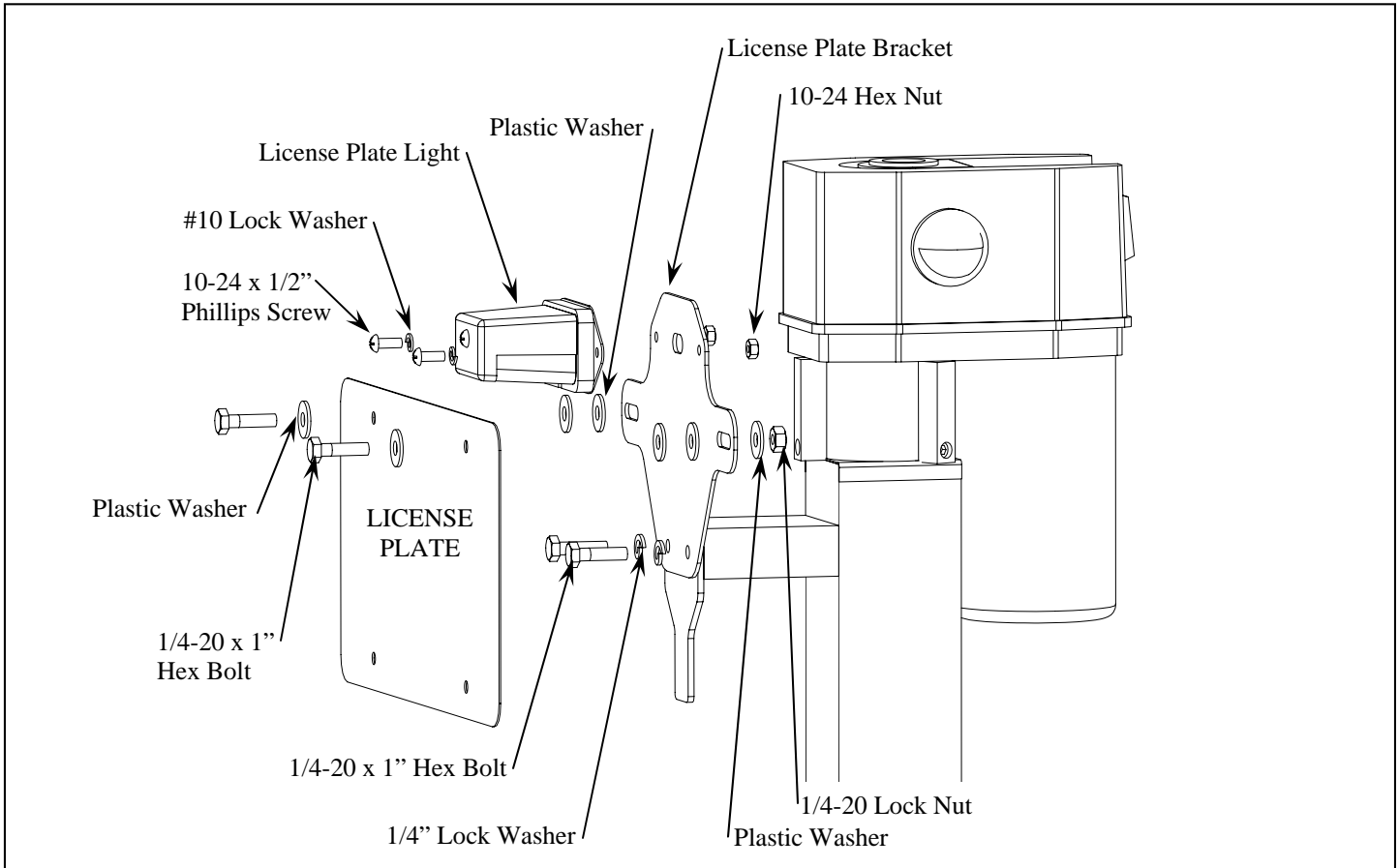


Lift 'N' Go Model 210 License Plate Light Kit [Part #220]

Parts Included: Please check to make sure all parts arrived with your kit.

- (1) WCC9210A License Plate Bracket
- (1) WCC9210C License Light Wire
- (1) WCC9210D License Plate Light
- (1) T-250R Female Tap Connector [Splice]
- (2) 92825A131 Plastic Spacer
- (4) 1/4-20 x 1" Hex Bolt
- (2) 1/4-20 Lock Nut
- (8) Plastic Washer
- (2) 1/4 Lock Washer
- (2) 10-24 x 1/2" Phillips Screw
- (2) 10-24 Hex Nut
- (2) #10 Lock Washer



Using pliers, attach the splice to the center light wire. Then plug male terminal into the splice and re-install the light.

WheelChair Carrier
 203 Matzinger Road
 Toledo, OH 43612
 Phone: (419) 478-4423
 Fax: (419) 476-1324
 www.WheelChairCarrier.com
 E-mail: Admin@wheelchaircarrier.com

DISCLAIMER:

Please note that this option is to be installed by qualified persons only. All connections must be crimped. Wheelchair Carrier is not responsible for faulty wiring or installation that causes damage to the vehicle or to the equipment.