

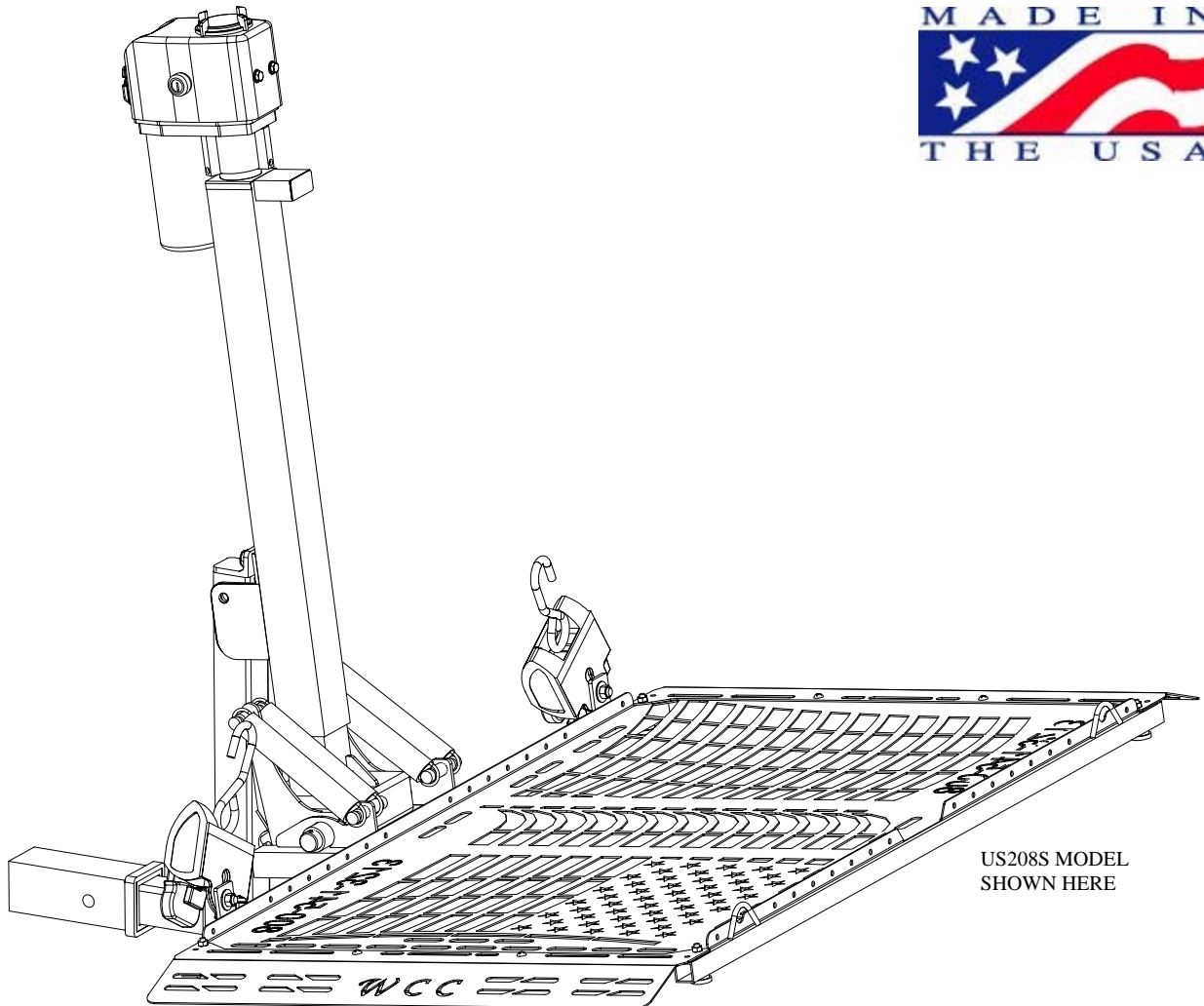


WheelChair Carrier

Taking You Where You Want To Go...

203 Matzinger Road
Toledo, OH 43612
Phone: 1-800-541-3213
Fax: (419) 478-4425
www.WheelChairCarrier.com
E-mail: admin@wheelchaircarrier.com

US208S Scooter Carrier - US208P Power Chair Carrier
210 Lift N Go - 277 Power Chair Carrier
130 Swing Away *Installation Guide & Owners Manual*



US208S MODEL
SHOWN HERE



CAUTION: Read and follow all installation instructions and operating instructions before the first use of this product.

Save this manual for future reference.

Revision (K) 03-08

Introduction

Congratulations on your new *WheelChair Carrier* product purchase! The Lift ‘N’ Go Electric Carrier is one of the easiest ways to transport your power chair or scooter. This manual has been written to be used as an installation guide as well as an operation guide for the end user.

Before installing, be sure to have the proper hitch installed on your vehicle. Consult the Hitch Manufacturer for load ratings prior to operation of your lift. **Never** exceed the Hitch load rating set from the Hitch Manufacturer. The Warranty will be voided if the recommended tongue weight is exceeded. [Tongue weight: Weight of Lift + Weight of Scooter or Power Chair. See *product weights* below.]

Both installers and operators must read all of the available manuals thoroughly before attempting any installation, operation, or maintenance Wheelchair Carrier equipment.

If you have any questions or comments concerning the installation operation of this carrier, please contact your local dealer or Wheelchair Carrier for additional technical information.



Caution: Be sure that the wheelchair or scooter being transported meets the size and weight constraints set for this product.

WARNING
Never exceed the 350lb weight capacity of the carrier.

Unpacking the Carrier

Detailed below is the inventory of parts included with your carrier. If any parts are missing or if any shipping damage is noted, immediately contact your dealer or WheelChair Carrier if purchased direct. **DO NOT** attempt to install or use the lift with any missing or damaged parts.

The Electric Carrier Box Contents:

- (1) Carrier Assembly
- (1) Motor [with 2 keys]
- (1) Hand Crank
- (1) Hitch Adapter Class II OR Class III [*Hardware to include 3 bolts 3 lock nuts and 1 spacer*]
- (1) Wire Harness
- (2) Transitions with hardware
- (2) Retractable Ratchets.
- - Wire Ties

Product Weights

Electric Carrier Weight:

Post & Platform—104 lbs. [277 & 208P 96lbs]

Optional Swing Away—35 lbs.

Product Size

Model 210 & 208S Large Platform: 28” x 48”

Model 277 & 208P Platform: 28” x 36”

Hitch Face to Platform stowed position: 11”
(16” with Swing Away)

Installation Instructions



Important!!

Please refer to the Lift 'N' Go diagrams while following instructions. If you purchased the swing away option, then please proceed to page 10 for installation of swing away first.

Note: A Class II [1-1/4"] or Class III [2"] hitch is needed in order to install the Carrier. Depending on your vehicle it may be necessary to install an upgraded suspension.

Mounting

Before securing the Hitch Adapter, be sure to position the adapter so that it meets the dimension range shown in Fig A.

Step 1. Install the Hitch Adapter [see Fig B]

- 1) Slide the Hitch Adapter into the hitch and align the hole that allows the Adapter to achieve maximum penetration.
- 2) Insert the Bolt into the Spacer, then through the Hitch, through the Hitch Adapter and tighten using the Lock Nut.
- 3) Make sure the Spacer is pushing the Hitch Adapter tight against the inside of the Hitch. This will ensure a solid connection.
- 4) Shown in Fig B is a Class 3 Adapter [2 inch square]. Attachment of the Class 2 Adapter [1-1/4 inch square] is performed the same way with different hardware.

If installing the Lift with a Swing Away option:
Install the Swing Away to the Hitch Adapter.
Then install the Tube Adapter to the Swing Away.

Fig A

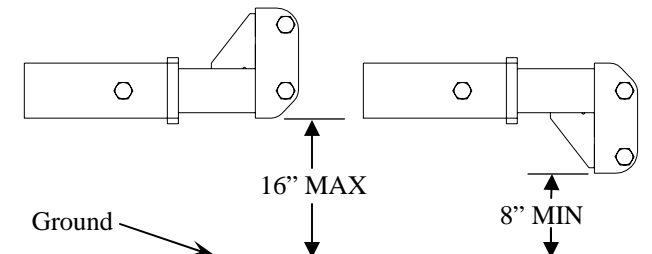
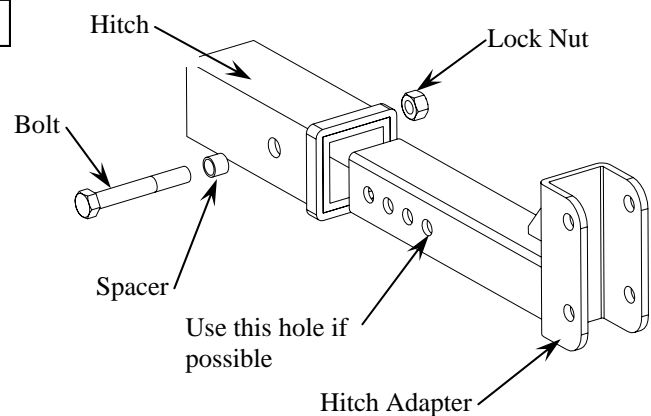


Fig B



Installation Instructions

Step 2. Install the Platform and Post to the Hitch Adapter [see Fig C]

1) Align Tube Adapter to the Hitch Adapter and attach using the (2) 1/2-13 x 3" Grade 5 Bolts and Lock Nuts.

Step 3. Install the Motor to the Post. [see Fig D]

1) Be sure the Motor is seated. When seated there should be approximately 1/4" of the round tube showing.

2) Tighten the other set screws.

[Do Not Over Tighten]

Step 4. Attach Transitions to the Platform [see Fig C]

1) Attach each transition to the platform with two Feet on each end and 2 screws toward the center of the platform.

2) Repeat for the opposite side.

Note: The plastic feet are in place to avoid scratching paint and damage to driveways.

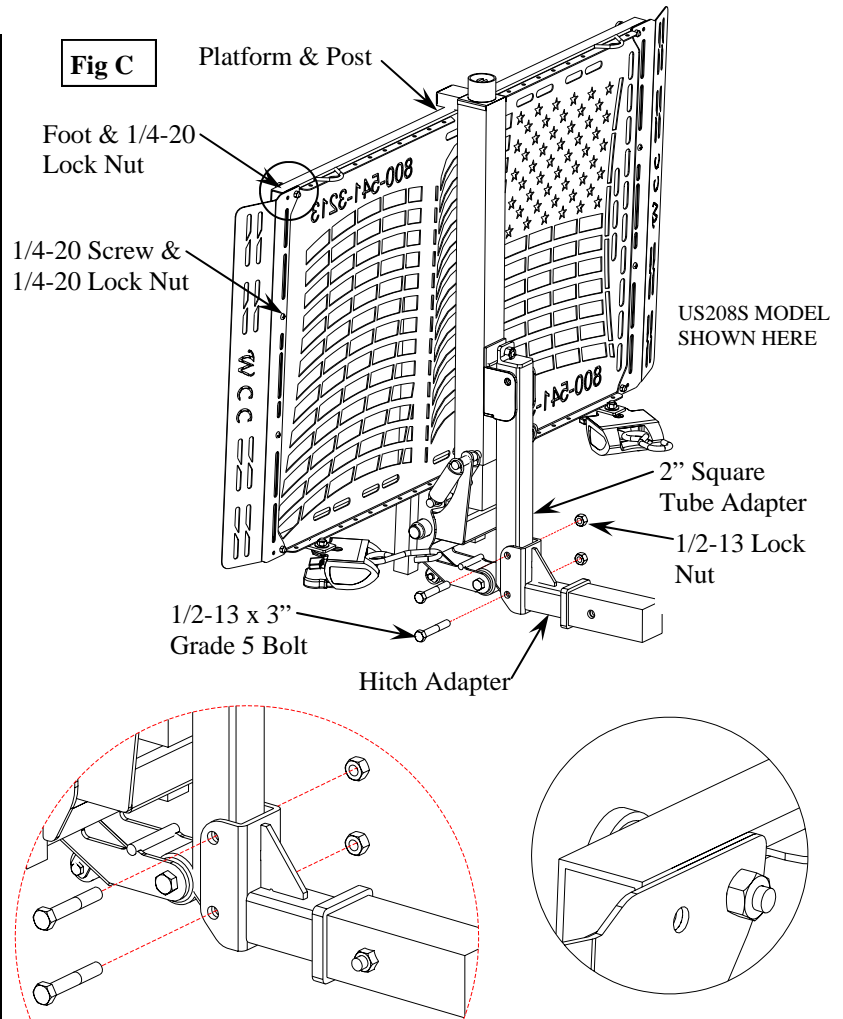
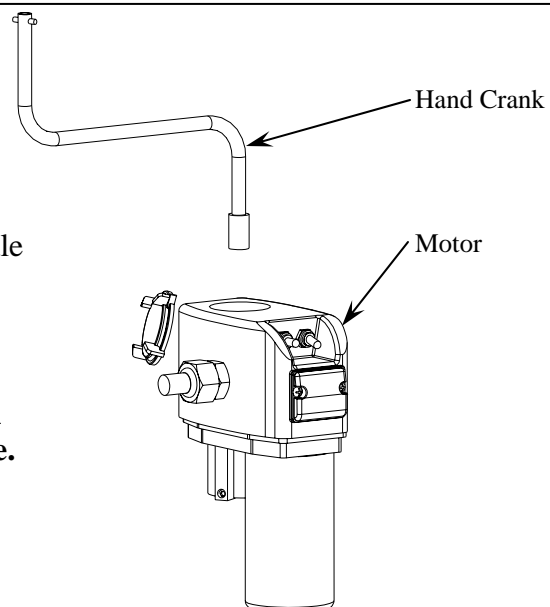


Fig D

Remove Cap and use the Hand Crank to align the drive pin on the motor with the driven shaft of the Post

If an electrical failure should occur, the crank handle may be inserted into the motor and the lift can be operated manually.



WARNING Crank Handle: Do not push Toggle Switch with crank handle in place. This will cause serious injury.

Installation Instructions

WARNING: Disconnect the battery before attempting the wire installation!

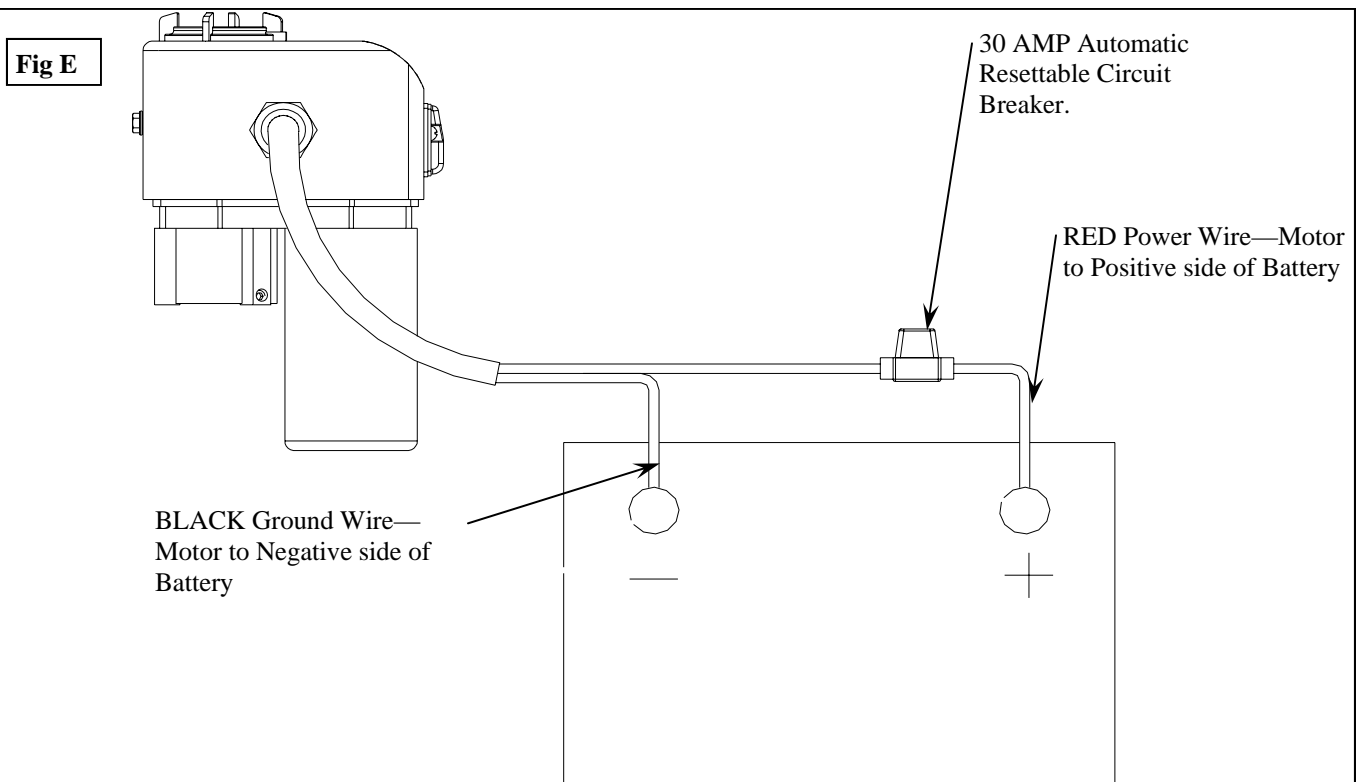
Step 4. Wire the Lift directly to the vehicle's battery. [see Fig E]. The wire harness for the lift has a 30 Amp Automatic resettable circuit breaker in line of the power wire, therefore the motor **must** be connected directly to the battery. [The circuit breaker will reset within 20 seconds if it is tripped]

1) Route the wire harness down through the engine compartment and to the rear of the vehicle. The wire harness consists of (2) 10 Ga. wires 23 feet in length.

2) **Avoid moving parts such as carburetor linkages, steering parts, fans, belts, and pulleys. Also avoid hot parts such as exhaust manifolds & pipes.** (Use tie straps to secure the wire.) Attention to detail will keep the wires safe from cuts and scrapes and from interfering with the vehicle operations.

3) Be sure that all connections are secure. Coil any unused length of wire and secure safely under the vehicle.

4) To help keep the terminals clean, be sure to cover them when not in use to avoid contamination. Dielectric grease should be used to help avoid corrosion.



NOTE: The 4 way connector is only used with the optional License Plate Kit

Operation Instructions

- To lower the Platform to the Transport position, turn the key to the on position then press and hold the Motor Switch down [see Fig F]. While staying clear of the platform continue holding the Switch down while the platform falls away from the post and transitions flat on the ground. [see Fig G,H & I]
- Load the Power Chair or Scooter onto the Platform.
- Remove yourself and all loose objects from the platform and chair before raising the platform.

Stow Away Position

Fig F

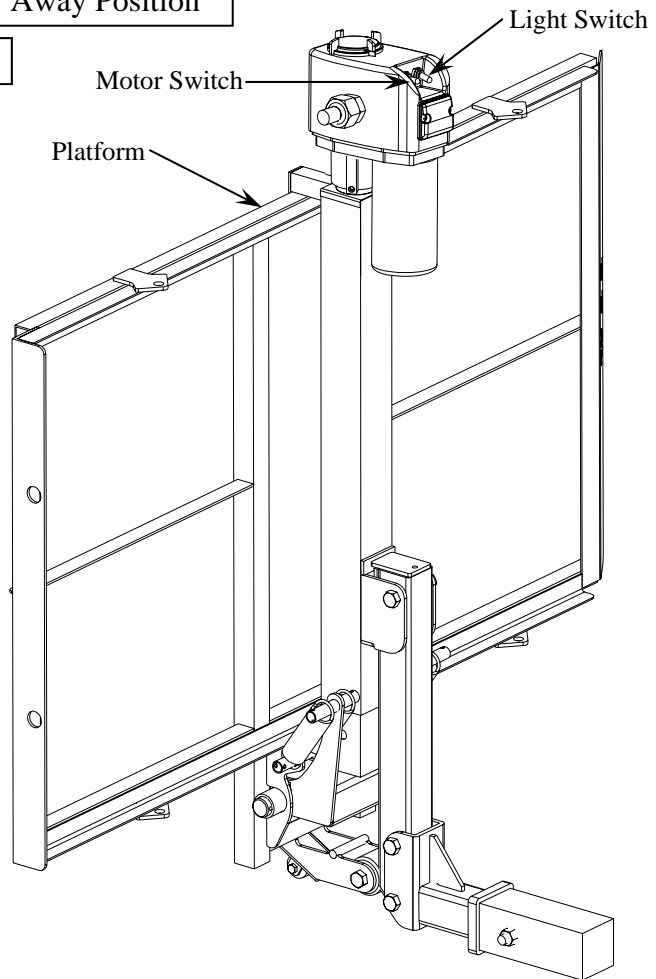


Fig G

***Platform Must rotate down**

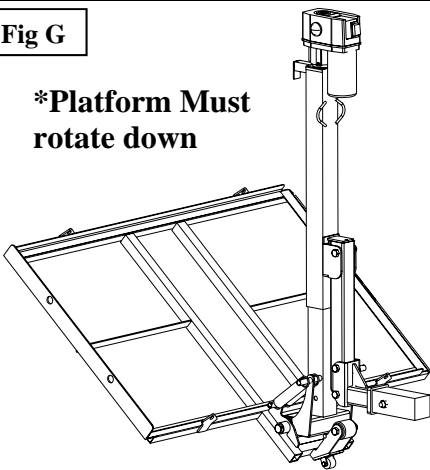


Fig H

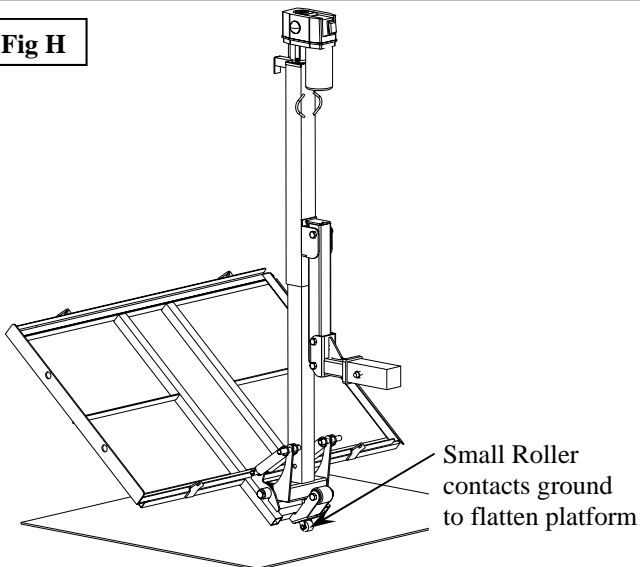
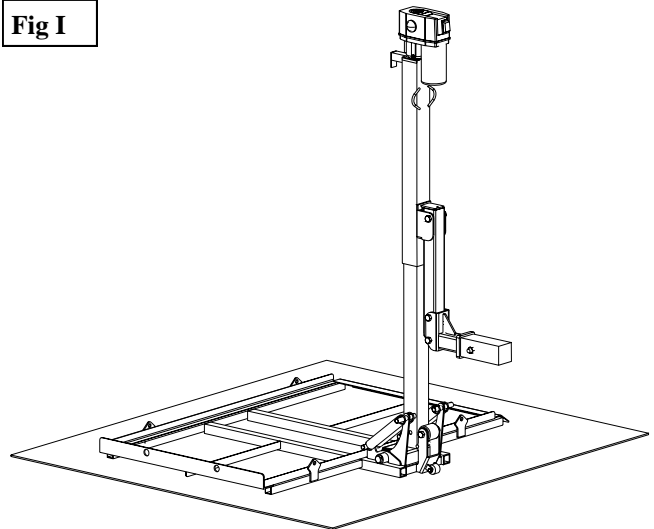
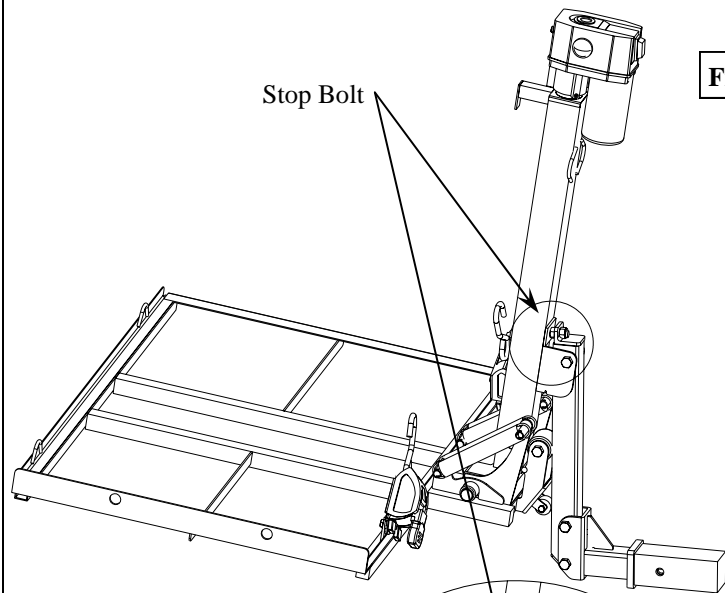


Fig I

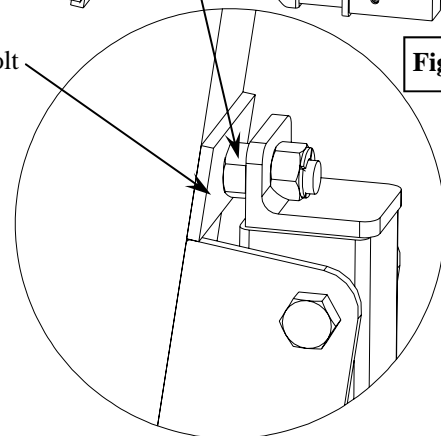


Operation Instructions

- Load the Power Chair or Scooter onto the Platform.
- Raise the Platform approximately halfway up by pressing and holding the Toggle Switch upwards.
- Secure the cargo to the platform with the Ratchet Straps provided. *See Securing the Chair to the Carrier on pg8.*
- Raise the Platform up until it is tight against the stop bolt. [see Fig J] Stop bolt must always be touching its stop plate when in the transport position. [see Fig J1] **Do not over tighten the stop bolt. Over tightening will cause damage to the Post.**



Stop Plate for Bolt



Transport Position [Shown in Fig J]

CAUTION: DO NOT LOWER THE PLATFORM WHILE IN THE TRANSPORT POSITION WITHOUT A MINIMUM OF 25 LBS ON THE PLATFORM!

If platform is lowered without weight on it, the tension of the springs will swing the platform up quickly.

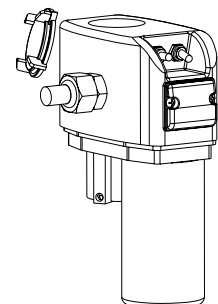
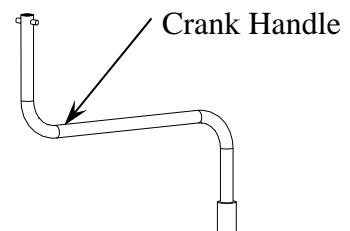
Remember to keep hands and feet away from moving parts during operation.

When the Motor reaches the end of its travel a built in torque limiter goes into operation with a clicking noise. This torque limiter permits the final drive gear to slip and thus protects the unit. **Prolonged operation of the torque limiter is NOT recommended.**

If an electrical failure should ever occur the crank handle may be inserted into the post and the power post can be raised or lowered manually.



WARNING Crank Handle: Do not push Toggle Switch with crank handle in place. This will cause serious injury.



Securing the Chair to the Carrier

RETRACTABLE RATCHET INSTRUCTION

Release Strap:

Pull down on the Release Lever and rotate the Ratchet Handle up. While in this position the strap is loose and can be extended much like a seatbelt. *(Both sides of the retractor spool may be lubricated, as needed.)*

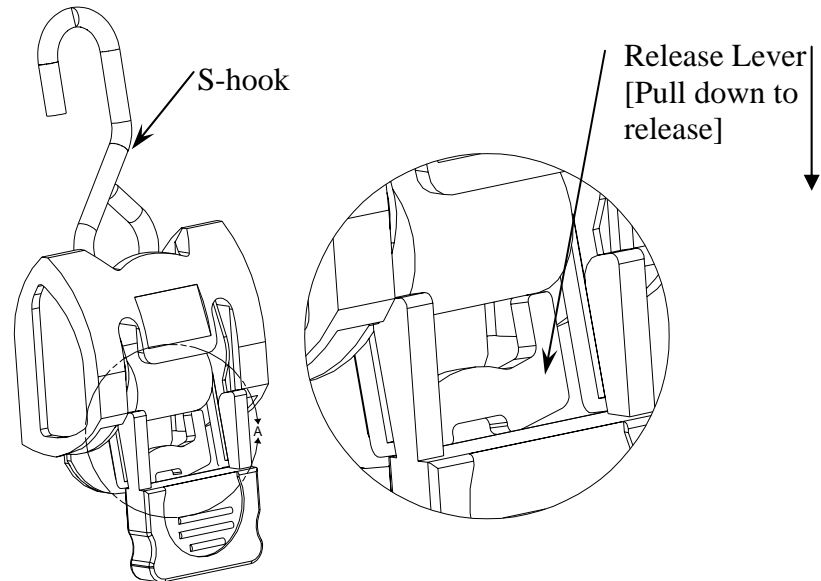
To Hold Chair:

Attach the S-hook to the opposite side of the platform while in the Release Position. To avoid damage take caution as to where the chair will be secured.

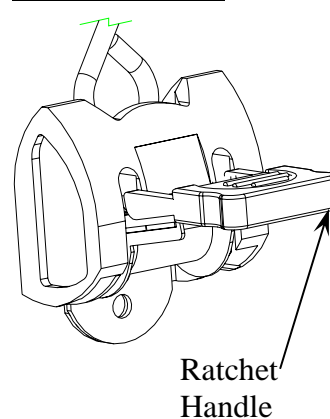
To Tighten:

Pull down on the Release Lever and rotate the Ratchet Handle down to the Ratchet Position. At this point the Ratchet Handle can be used to tighten the strap. Do not over tighten. After the chair is secured the Ratchet Handle must be pushed down into the Lock Position.

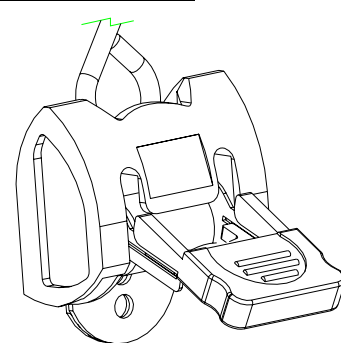
Lock Position



Release Position



Ratchet Position



CAUTION: Do not over-tighten straps or damage to chair could result. Do not attempt to modify your carrier in any way. **This will void your warranty.**

Maintenance


Our carriers have been designed to be as trouble free as possible for the owner. As with any mechanical device however, maintenance should be performed regularly while owning and operating our carriers.

- WheelChair Carrier recommends that dealers schedule a preventative maintenance inspection at least once a year on the carrier frame and all moving parts of the carrier.
- Regularly check and tighten all hardware on the carrier.
- Regularly check for paint chips and touch up any bare metal with a quality gloss black enamel or lacquer to inhibit rust.

Safety

CAUTION: Do not operate our carriers without being satisfactorily instructed in the proper operation of carrier by the dealer or without reading operation manual thoroughly.

- Our wheelchair carriers have been designed and engineered for years of trouble free performance. Although with everyday use some parts may become loose or worn. Regularly inspect your carrier for any worn, loose, or damaged parts. If you find anything upon inspection, **DO NOT USE THE CARRIER!** Contact your local dealer or WheelChair Carrier for any repairs that need to be made. **Failure to act may cause severe injury!**
- Our wheelchair carrier should only be used for the loading and unloading of wheelchairs or scooters for which it is designed. **DO NOT** add or modify any part of the carrier system without first contacting the manufacturer of the carrier. Any modifications may void any warranties as well as compromise the structural integrity of the carrier.

 **WARNING** Avoid serious injury, or death, to yourself and others. Follow all instructions in this manual.

- Before loading scooter or power chair, the vehicle must be safely parked, on a flat level surface.
- Before and during transporting, scooter or power chair must be secured to the platform and the platform must be all the way up. Check all straps regularly.
- If the scooter or power chair is not on the platform, then the platform must be in the stow away position.
- Do not exceed the weight capacity of 350 lbs.
- Keep all objects and people clear from underneath the platform at all times.

LICENSE PLATE BRACKET (Optional)

Some states require the license plate to be visible at all times. When carrying a large scooter or power chair it is possible for the license plate to be covered. Be sure to know the laws governing license plates in your area.

Troubleshooting Guide

Problem:	Like Causes:	What to do:
Motor will not work -or- Motor works intermittently	Circuit Breaker Tripped Grounding issue or loose connection	The Circuit Breaker will reset within 20 seconds. Check the ground and power wires making sure they are securely attached to the vehicles battery. Check the wires connecting to the toggle switch in the motor housing. Also check the motor housing for any cracks or damage.
Motor works but does not lower the lift	The Drive Gear may be damaged Drive Gear may be disengaged.	Using the manual hand crank, turn the shaft on the post located under the plastic cap of the motor. This may allow the gears to re-align. Call dealer or manufacturer for a replacement gear. The gears can be inspected inside of the motor to determine if they are worn or damaged.
Lift is noisy	Actuator Post may need lubricated	Locate the small hole on the post below the motor. Use a White Lithium lubricant and spray inside of post, operate and repeat.

SWING AWAY MODEL 130 INSTALLATION PROCEDURE

The Swing Away feature can be added to a Class II [1-1/4" Square] or Class III [2" Square] hitch only. The Swing Away feature can be added to the Lift 'n' Go (Model #210) to allow comfortable access to the rear of any vehicle.



WARNING: Scooter or powerchair must be unloaded off the platform prior to opening the Swing Away.

Tools required: (2) 3/4" Wrenches

Step 1: Carefully unpack the swing away.

Step 2: Attach Swing Away to hitch attachment using (2) 1/2-13 x 3" bolts and lock nuts provided. [See Fig A]

Step 3: Slide the Hitch Adapter into the hitch as far as it will go. Insert the Bolt into the Spacer, through the Hitch, through the Hitch Adapter and tighten using the Lock Nut. Make sure the Spacer is pushing the Hitch Adapter tight against the inside of the Hitch. This will ensure a solid connection. [See Fig B]

Step 4: Attach the Lift N Go to the Swing away. Secure in place using (2) 1/2-13 X 3" Bolts and Lock Nuts. Choose the two holes that allow optimum working height of carrier. [12" to 15" from ground to bottom of extended platform] [See Fig C]

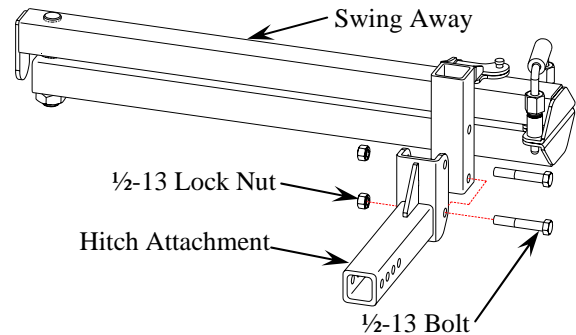


FIG A

FIG B

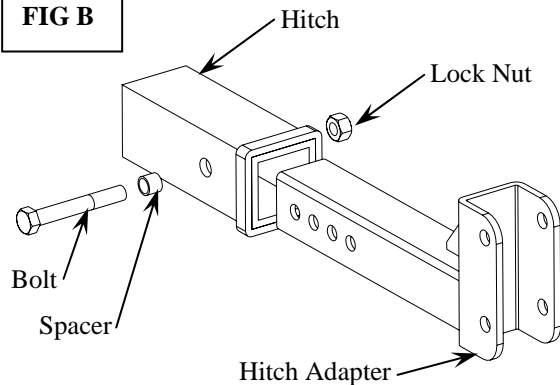
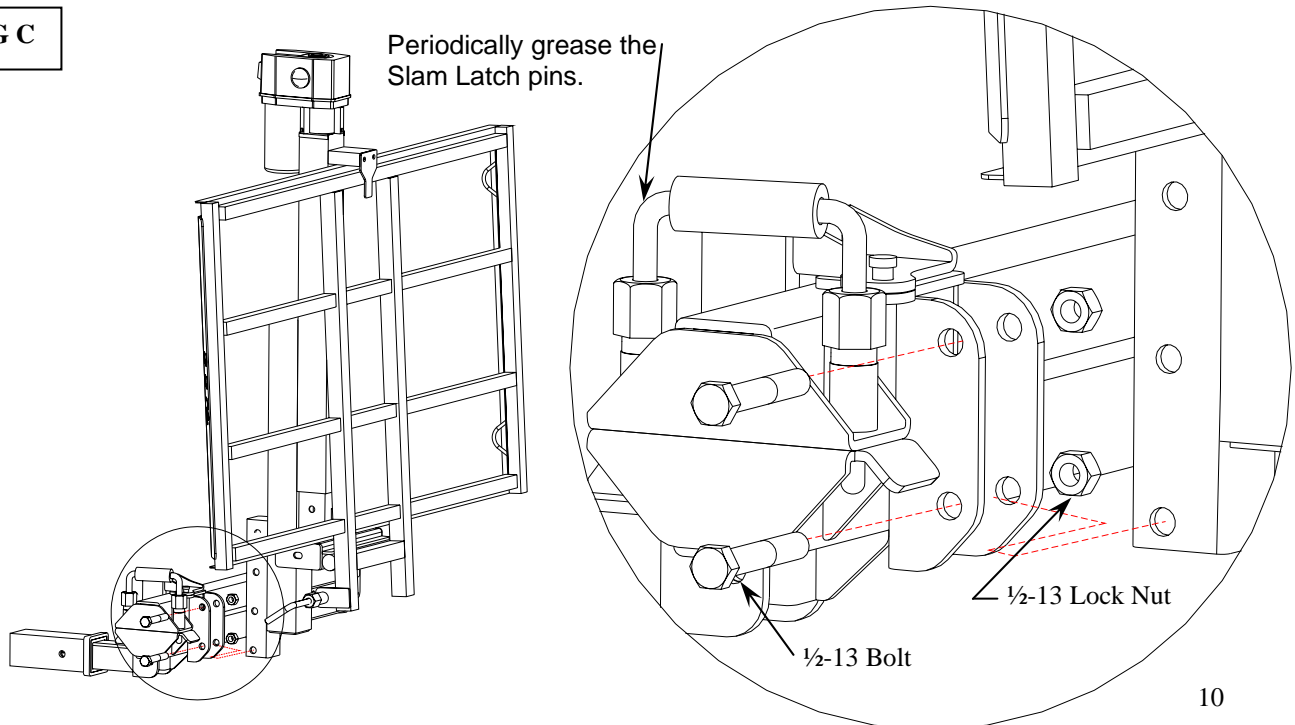


FIG C

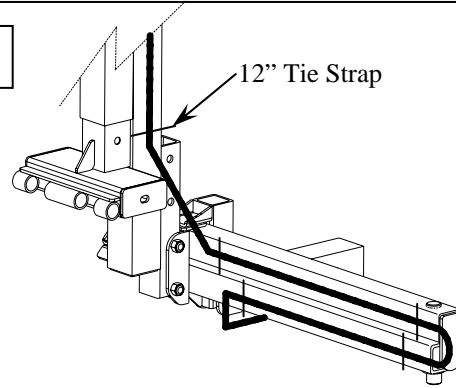


SWING AWAY MODEL 130 INSTALLATION PROCEDURE [cont'd]

Step 5: Routing the wires along the Swing Away. Be sure the swing away can open and close without damaging the wire harness. [See Fig D]

Step 6: Secure wires with 12" Tie Straps included.

FIG D



SWING AWAY MODEL 130 OPERATION PROCEDURE

CAUTION: The vehicle is to be on level ground during use of the Swing Away. Failure to do so may result in operator losing control of the lift causing damage to persons and property.

CAUTION: The Safety Pin must Always be installed during use.

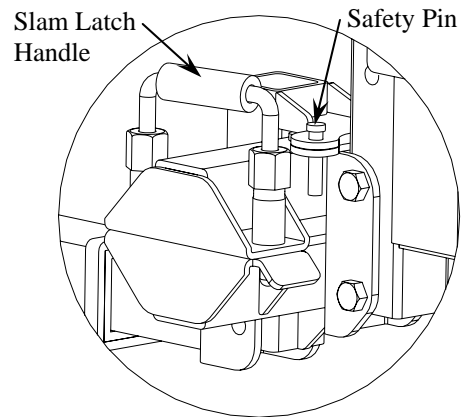
Opening the Swing Away [See Fig E]

Step 1: Temporarily Remove the Safety Pin.

Step 2: Pull up on the plastic Handle of the slam latch.

Step 3: While pulling up on the plastic Handle, push the platform away from the vehicle and swing away.

FIG E



Closing the Swing Away [See Fig F]

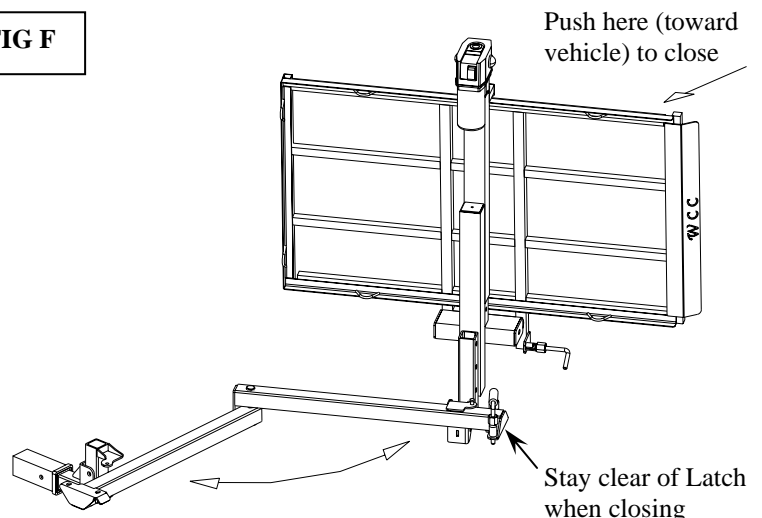
Keep clear of latch

Step 1: Push platform toward the vehicle and the slam latch will automatically lock the swing away in place.

Step 2: Ensure the Latch is fully engaged.

Step 3: Insert Safety Pin.

FIG F





3 Year Transferable Limited Warranty

Every effort has been made to insure high quality in material and workmanship of our products. Manufacturer warrants all products to be free of defects in material and/or workmanship for three (3) years from date of original purchase [2008 models and newer only, 2007 models and older have a 1 year non transferable warranty].

EXCEPTIONS: 1 year warranty on all Electrical components including motor and actuator. All custom orders have a 90~day warranty. Model 015, The Manual Carrier carries a 1 year warranty only.

CARRIERS: All carriers are warranted to be free of defects in material and/or workmanship for three (3) years from date of original purchase when used in accordance with manufacturer installation and operating instructions [2008 models and newer only]. This warranty does not cover damage due to abuse, misuse, accident, or use of unauthorized attachments or modifications. Protective finish coating on carriers is not guaranteed in as much as the manufacturer is not responsible for the use (abuse or natural wear and tear) of the product. The manufacturer and/or selling agents of carriers will not be responsible in any way for damage to, or loss of, item(s) being carried or falling from carriers or damages said item(s) may cause on or off carriers. All shipping charges for parts under warranty must be prepaid by the customer.

TRANSPORT COVERS: Transport covers are guaranteed free of defects in material or workmanship for one (1) year from time of purchase. Covers are not guaranteed against rips, holes, or damage due to improper installation, abuse, misuse, alteration, or environmental factors beyond our control.

RETURN POLICY

All returns must be made within 30 days from the date of purchase unless due to defect. Written authorization **MUST** be obtained from *WheelChair Carrier, Inc.* prior to the return of any merchandise for any reason, and all transportation costs must be prepaid. **NO RETURNS** on custom orders. Authorized returns for credit only are subject to a 25% restocking charge, plus any cost incurred in restoring the merchandise to a resalable condition. Freight charges cannot be credited.

WHEELCHAIR CARRIER, INC.
203 MATZINGER ROAD
TOLEDO, OH 43612
PHONE: (419) 478-4423 or call toll free at 1-800-541-3213
FAX: (419) 478-4425
www.WheelChairCarrier.com