



WheelChair Carrier

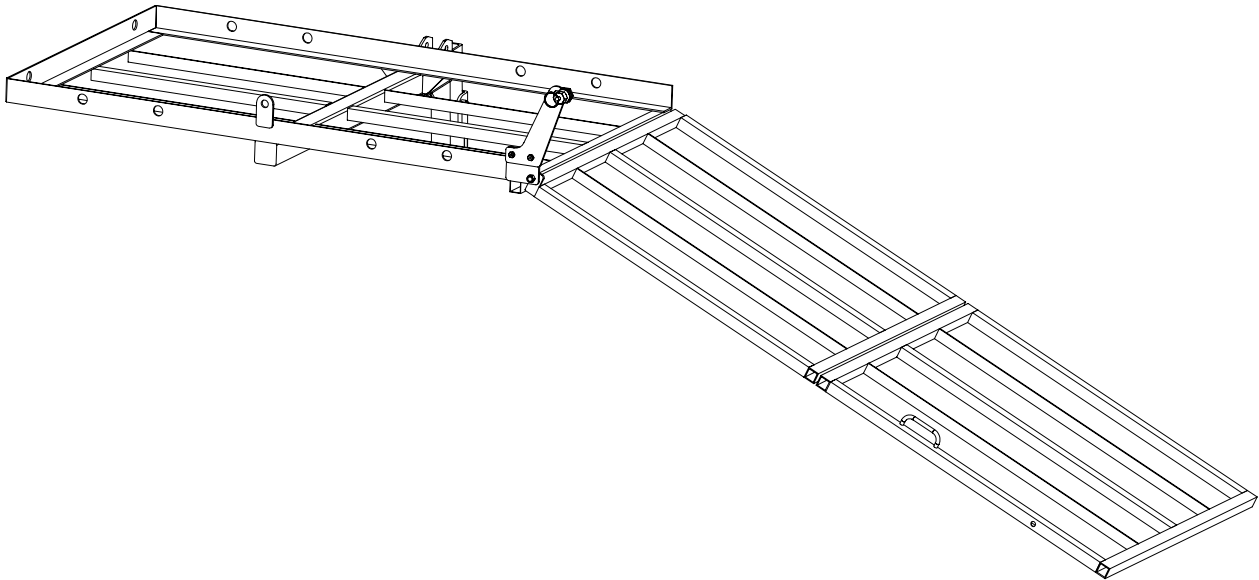
Taking You Where You Want To Go...

203 Matzinger Road
Toledo, OH 43612
Phone: 1-800-541-3213
Fax: (419) 478-4425
www.WheelChairCarrier.com
E-mail: admin@wheelchaircarrier.com

Manual Carrier [Model 015]

For use with power chairs & scooters

Installation Guide & Owners Manual



CAUTION: Read and follow all installation instructions and operating instructions before the first use of this product.

Save this manual for future reference.

Revision (B) 07-08

Introduction

Congratulations on your new *WheelChair Carrier* product purchase! The Model 015 Manual Carrier is a convenient way to transport your power chair or scooter. This manual has been written to be used as an installation guide as well as an operation guide for the end user.


Before installing, be sure to have the proper hitch installed on your vehicle. Consult the Hitch Manufacturer for load ratings prior to operation of your carrier. **Never** exceed the Hitch load rating set from the Hitch Manufacturer. The Warranty will be voided if the recommended tongue weight is exceeded. [Tongue weight: Weight of Lift + Weight of Scooter or Power Chair. See *product weights* below.]

Both installers and operators must read all of the available manuals thoroughly before attempting any installation, operation, or maintenance of the Model 015 manual carrier.

If you have any questions or comments concerning the installation operation of this carrier, please contact your local dealer or Wheelchair Carrier for additional technical information.



Caution: Be sure that the wheelchair or scooter being transported meets the size and weight constraints set for this product.

 **WARNING**
Never exceed the 400lb weight capacity of the carrier.

WARNING!

A warning indicates a potentially dangerous situation, which if not avoided, could result in death or serious injury.

1. Read all instructions and save them for future reference.
2. Follow all warnings and instructions marked on the carrier and in this manual.
3. Do not ride any vehicle while loading onto the carrier.
4. Do not stand on the carrier.
5. Never exceed vehicle tongue weight ratings.
6. Always store the carrier in a safe place.
7. Improper use, storage or installation of carrier could result in death or serious injury.
8. Do not install carrier onto any type of trailer.
9. Carrying capacity is limited to 400 lbs. Max.

Tools Needed

- 7/16" Wrench
- (2) 9/16" Wrench
- (2) 3/4" Wrenches
- (2) Crescent Wrenches

Installation Instructions



Important!!

Please refer to the diagrams while following instructions.

Note: A Class II [1-1/4"] or Class III [2"] hitch is needed in order to install the Model 015. Depending on your vehicle it may be necessary to install an upgraded suspension.

Step 1. Height Adapter Installation

1. Attach the Hitch Adapter (A) to the Height Adapter (B) using the 1/2" Bolts and Lock Nuts (C) included.

3. Slide the Hitch Adapter (A) into the hitch as far as it will go.

4. Insert the Bolt (D) into the Spacer (E), then through the Hitch, through the Hitch Adapter (A) and tighten using the Lock Nut (F).

Notes:

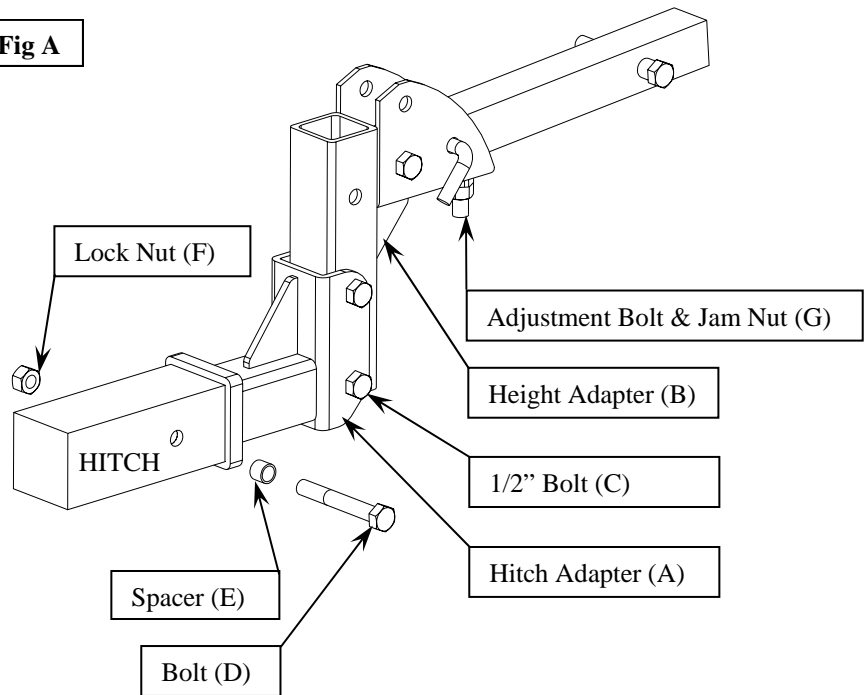
Make sure the Spacer is pushing the Hitch Adapter tight against the inside of the Hitch. This will ensure a solid connection.

Adjustment Bolt (G) can be used to change the angle of the Platform as needed.

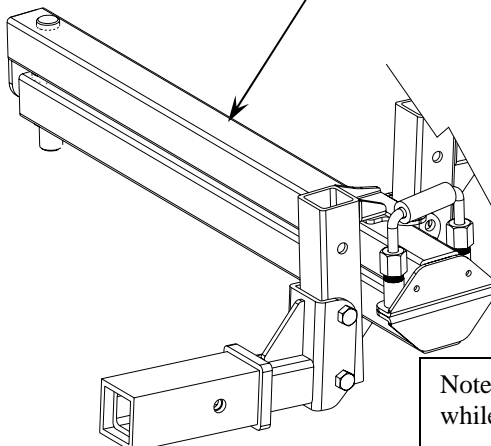
Shown in Fig A is a Class 3 Adapter [2 inch square]. Attachment of the Class 2 Adapter [1-1/4 inch square] is performed the same way with different hardware.

If installing the carrier with a Swing Away option: Install the Swing Away to the Hitch Adapter. Then install the Height Adapter to the Swing Away.

Fig A



Model 130 Swing Away sold separately. [Bolt on option]



Note: Carrier to be in the down position while operating the swing away.

Installation Instructions

Step 2. Attach both Spring Pull Pins to the carrier.

1. Attach Spring Pull Pin (A) to the Ramp Bracket (C).
2. Bolt the Ramp Bracket (C) to the Platform (D).
3. Secure the Ramp Bracket (C) to the Platform (D) as shown in Fig C.
4. Attach Spring Pull Pin (B) to Platform (D) See Fig D.
5. Tighten the Jam Nuts tightly against the Ramp Bracket (C) and to the Platform (D) to prevent loosening.
6. Be sure that the Spring Pull Pins each have engagement with the ramp for a secure fit.

Fig B

Fig D

Fig C

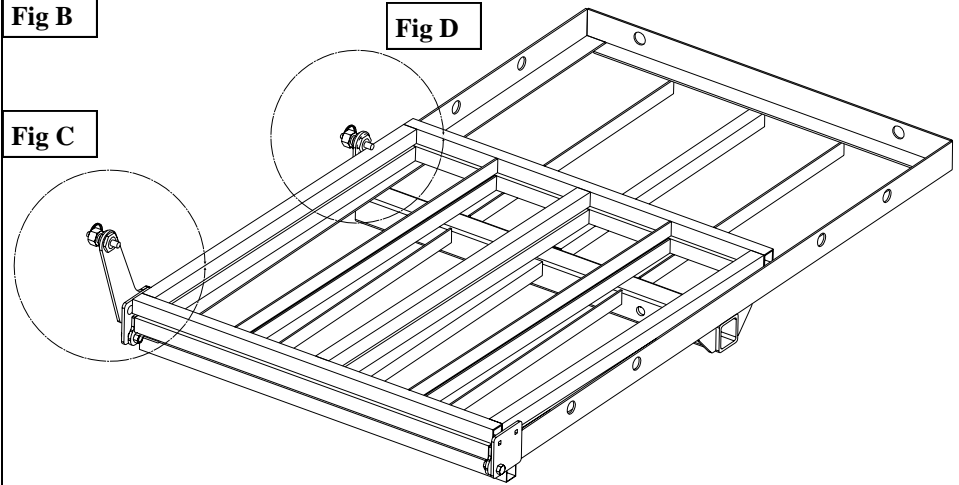


Fig C

Fig D

Spring Pull Pin (A)

Ramp Bracket (C)

Platform (D)

Spring Pull Pin (B)

Platform (D)

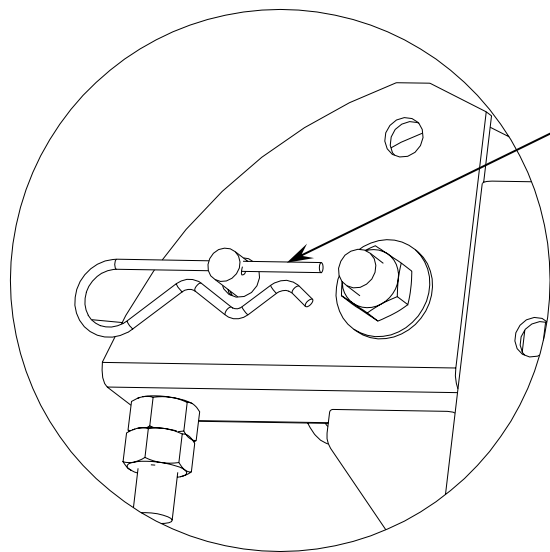
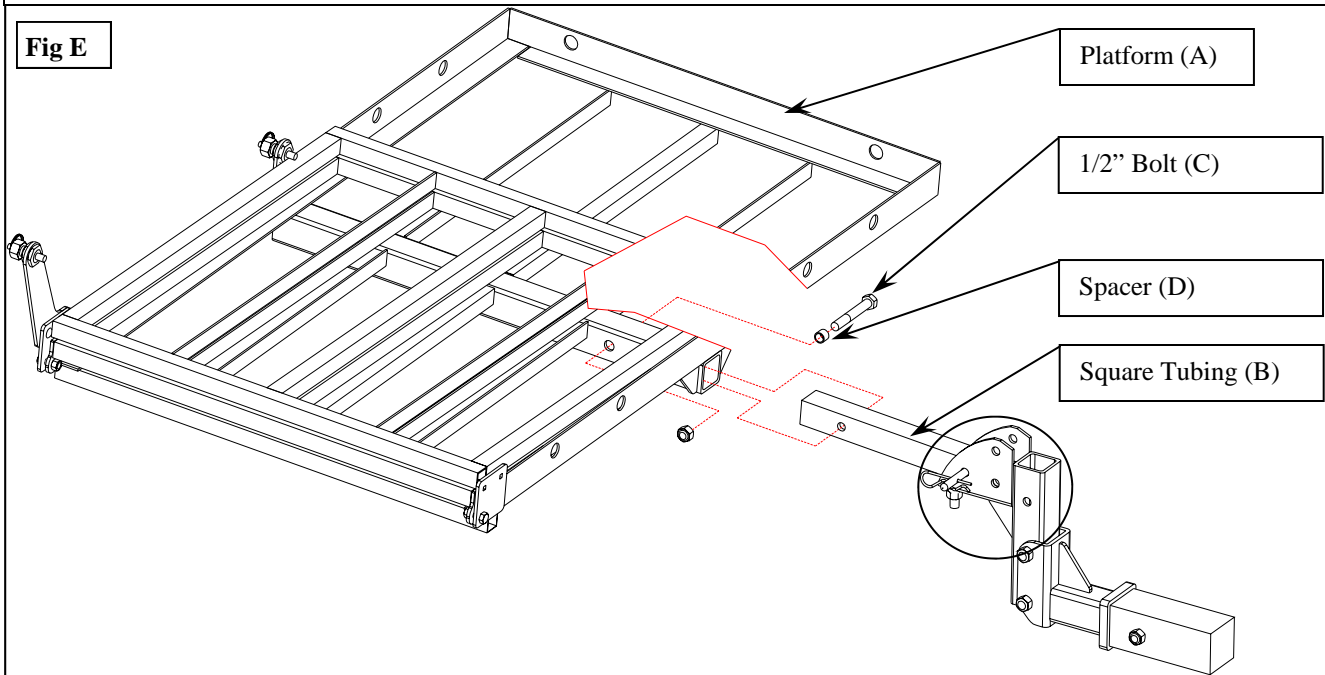
Insert Round Head bolts as shown to avoid interference with the ramp.

Installation Instructions

Step 3. Attach the Platform to the Hitch Adapter.

1. Slide the Platform (A) onto the Square Tubing (B) and align the holes in each. This will be a tight fit which may require a rubber mallet for installation.
2. Insert the 1/2" Bolt (C) and Spacer (D) through the Platform Tubing and 1-1/4" Square Tubing (B); then tighten while making sure the spacer pushes the 1-1/4" Tubing tight inside of the Platform Tubing.

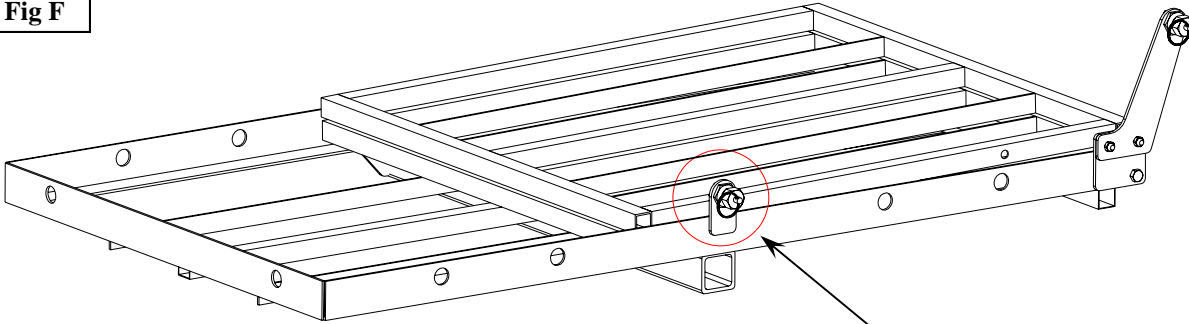
Fig E



Pin Must be installed at all times.

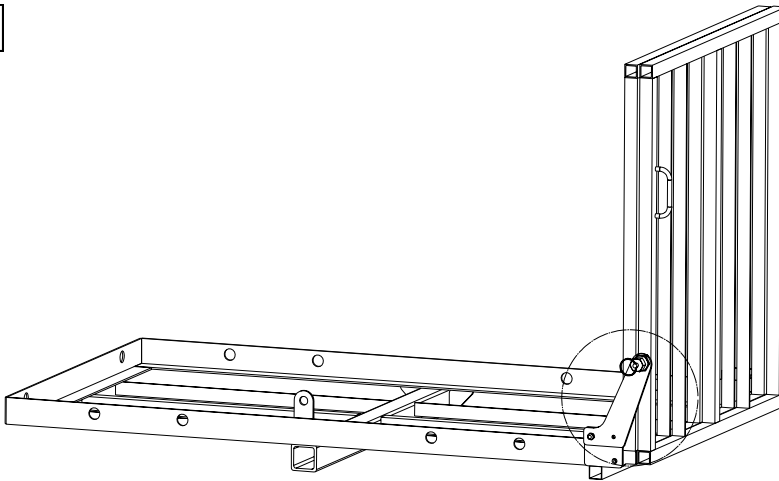
Operation Instructions

Fig F



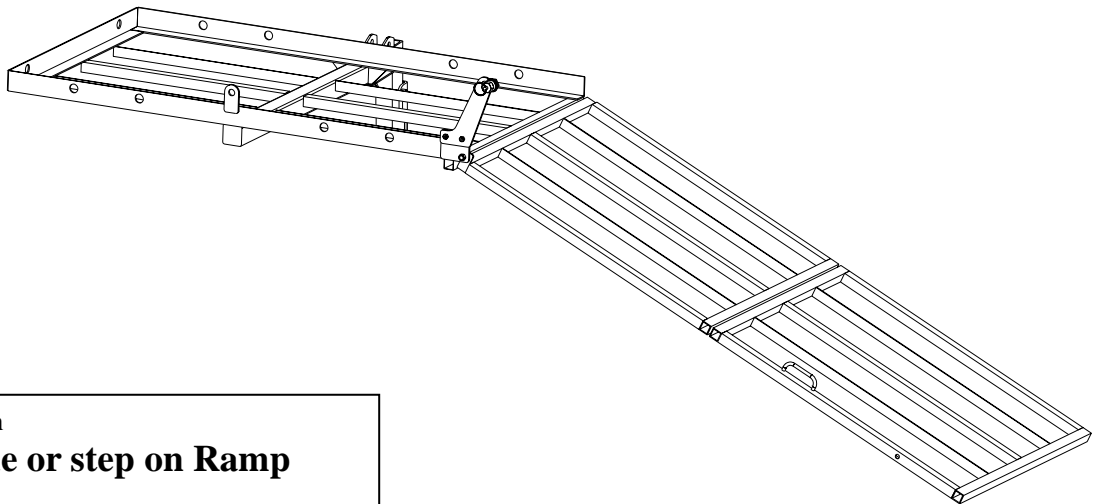
Pull Pin will lock the platform down when not in use. Use pin to release and put in the positions shown below.

Fig G



Use Pull Pin to lock in the carrying position. Be sure the pin fully engages the slot on the ramp.

Fig H



Loading Position
Do Not Ride or step on Ramp

Maintenance

- WheelChair Carrier recommends that dealers schedule a preventative maintenance inspection at least once a year on the carrier frame and all moving parts of the carrier.
- Regularly check and tighten all hardware on the carrier.
- Regularly check for paint chips and touch up any bare metal with a quality gloss black enamel or lacquer to inhibit rust.

Safety

CAUTION: Do not operate our carriers without being satisfactorily instructed in the proper operation of carrier by the dealer or without reading operation manual thoroughly.

- Although with everyday use some parts may become loose or worn. Regularly inspect your carrier for any worn, loose, or damaged parts. If you find anything upon inspection, **DO NOT USE THE CARRIER!** Contact your local dealer or WheelChair Carrier for any repairs that need to be made. **Failure to act may cause severe injury!**
- Our wheelchair carrier should only be used for the loading and unloading of wheelchairs or scooters for which it is designed. **DO NOT** add or modify any part of the carrier system without first contacting the manufacturer of the carrier. Any modifications may void any warranties as well as compromise the structural integrity of the carrier.



WheelChair Carrier

Taking You Where You Want To Go...

1 Year Transferable Limited Warranty

Every effort has been made to insure high quality in material and workmanship of our products. Manufacturer warrants all products to be free of defects in material and/or workmanship for one (1) year from date of original purchase.

All custom orders have a 90~day warranty.

CARRIERS: All carriers are warranted to be free of defects in material and/or workmanship for one (1) year from date of original purchase when used in accordance with manufacturer installation and operating instructions. This warranty does not cover damage due to abuse, misuse, accident, or use of unauthorized attachments or modifications. Protective finish coating on carriers is not guaranteed in as much as the manufacturer is not responsible for the use (abuse or natural wear and tear) of the product. The manufacturer and/or selling agents of carriers will not be responsible in any way for damage to, or loss of, item(s) being carried or falling from carriers or damages said item(s) may cause on or off carriers. All shipping charges for parts under warranty must be prepaid by the customer.

TRANSPORT COVERS: Transport covers are guaranteed free of defects in material or workmanship for one (1) year from time of purchase. Covers are not guaranteed against rips, holes, or damage due to improper installation, abuse, misuse, alteration, or environmental factors beyond our control.

RETURN POLICY

All returns must be made within 30 days from the date of purchase unless due to defect. Written authorization **MUST** be obtained from *WheelChair Carrier, Inc.* prior to the return of any merchandise for any reason, and all transportation costs must be prepaid. **NO RETURNS** on custom orders. Authorized returns for credit only are subject to a 25% restocking charge, plus any cost incurred in restoring the merchandise to a resalable condition. Freight charges cannot be credited.

WHEELCHAIR CARRIER, INC.

203 MATZINGER ROAD

TOLEDO, OH 43612

PHONE: (419) 478-4423 or call toll free at 1-800-541-3213

FAX: (419) 478-4425

www.WheelChairCarrier.com