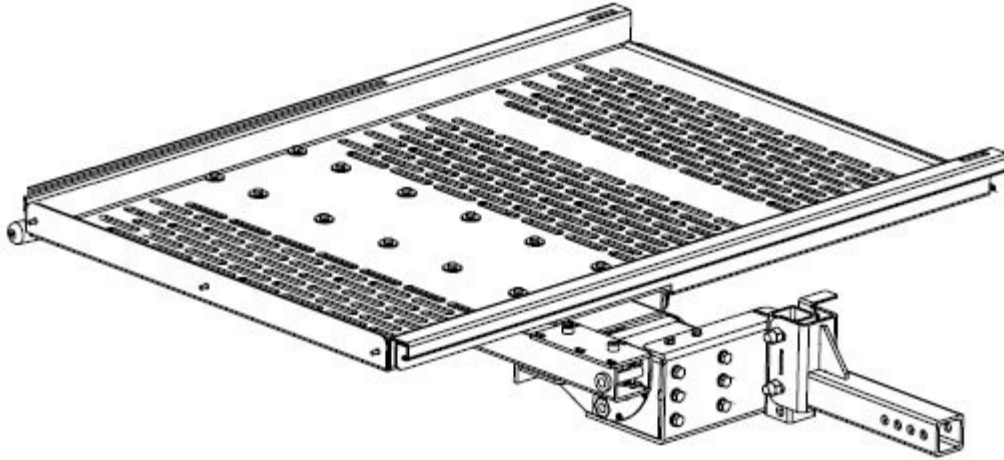


Model 310—Universal Carrier

Installation Guide & Owners Manual



Congratulations on your new *WheelChair Carrier* product purchase. The Model 310 Universal Carrier is one of the easiest ways to transport your scooter or mid-wheel drive power chair. This manual has been written to be used as an installation guide as well as an operation guide for the end user.

Both installers and operators should read this manual thoroughly before attempting any installation, operation or maintenance of the Model 310 Universal Carrier.

If you have any questions or comments concerning the installation or operation of this carrier, please contact your local dealer or *WheelChair Carrier* for additional technical information. **Only authorized dealers should install this carrier.**

Manual Sections

- I. Unpacking the Carrier
- II. Preparing the Vehicle
- III. Installing the Carrier
- IV. Operating the Carrier
- V. Maintenance & Safety
- VI. Optional Accessories
- VII. Warranty & Return Policy

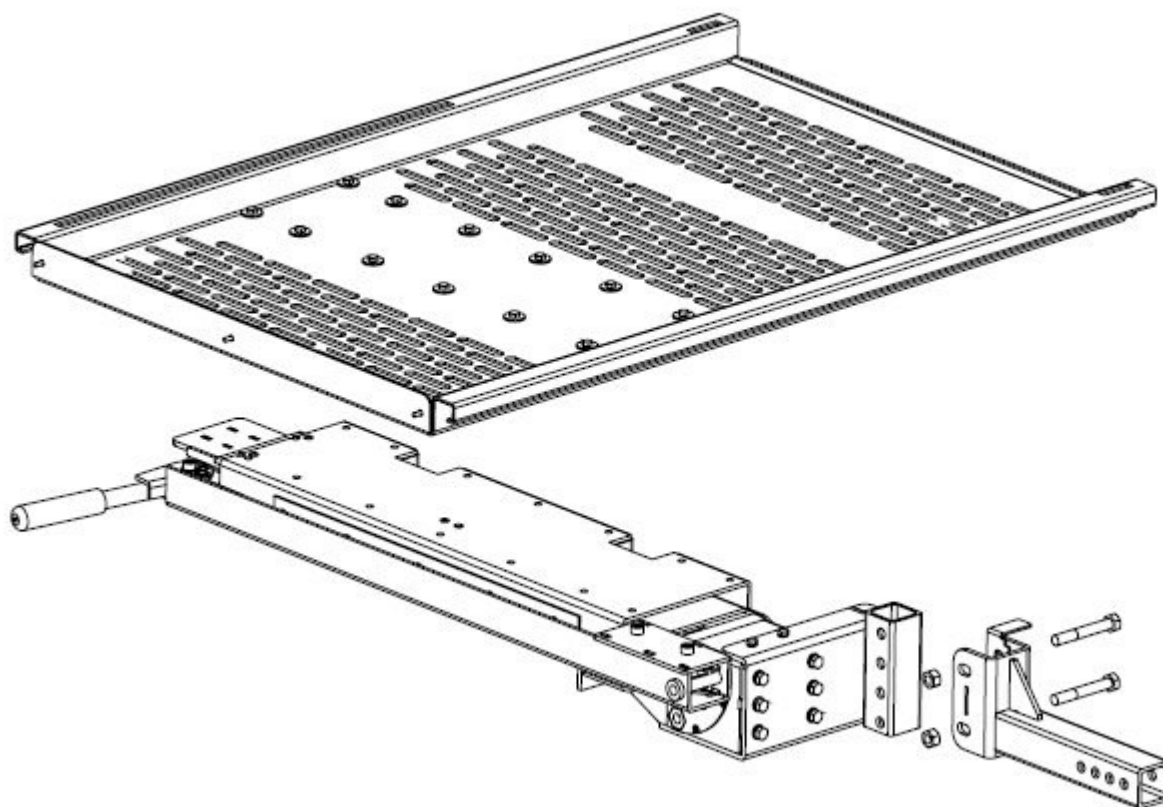
Section I. Unpacking the Carrier

You should receive one box containing the installation components for the Model 310 Universal Carrier

Box Contents should include:

Carrier Base Unit
Carrier Platform
Hitch Attachment
Ratchet Straps (Set of 3)
Owners Manual

1/2-13 x 3 1/2" Hex Head Bolts (3 Required)
1/2-13 Hex Lock Nuts (3 Required)
1/4-20 x 1/2" Hex Head Bolts (14 Required)
1" OD Washers (14 Required)
Warranty Card



The Model 310 Universal Carrier is packaged to be used with a standard class 2 or class 3 hitch.

Be sure to check the contents of each box to make sure that all items listed above are included. If any parts that are required for proper installation of the carrier are missing or damaged, contact the dealer from which you purchased the carrier immediately.

DO NOT attempt to install or operate the carrier if there are any missing or damaged parts.

Section II. Preparing the Vehicle

In order to install the Model 310 Universal Carrier, the vehicle must be capable of accepting a standard class 2 or class 3 hitch. If you need assistance in choosing the correct hitch for your vehicle, contact your local hitch dealer such as U-Haul™. There are also many web sites on the internet that offer complete hitch guides and hitch search engines using your specific vehicle information. Below are a few sites that may be helpful:

<http://www.uhaul.com/>
<http://www.hitchfinder.com/>
<http://www.draw-tite.com/>
<http://www.reeseprod.com/>

Important: Every hitch bears a different amount of tongue weight. **NEVER** exceed the tongue weight capacity of your hitch.

Tongue Weight Calculation:

The Weight of the carrier

+

The Load (chair or scooter, any accessories such as the sliding ramp, detachable ramp, etc)

=

Tongue Weight

Weight Guide:

Model Number	Product Name	Weight LBS
310	Universal Carrier	69 *
311	Slide Out Ramp	13
312	Detachabale Ramp	9
321	Stop Plate	2
166	Cover	5
412	Class 2 Attachment	7
411	Class 3 Attachment	7
414	Height Adapter	7
130	Swing Away Option	40
333	Ratchet Straps	3

* Weight Shown Includes Hitch Attachment & Ratchet Straps

Important Notes:

- The Weight Capacity of the Model 310 Universal Carrier is 225 LBS
- Some vehicles will require the rear suspension be supplemented by the addition of air adjustable shocks or other devices to keep the vehicle level.
- The hitch should be installed by a reputable hitch dealer
- Due to the additional weight on the rear of your vehicle, your vehicle may handle differently. Avoid driving your vehicle during inclement weather conditions until you are familiar with any handling changes to your vehicle. Always take extra care when driving your vehicle.

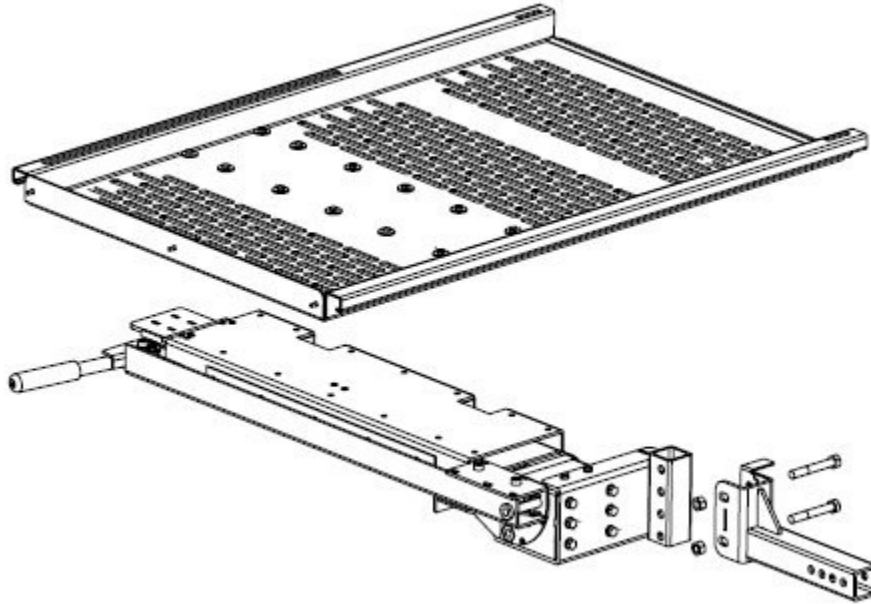
Section III. Installing the Carrier

Tools Needed:

7/16" Hex Socket (1 Required)

3/4" Wrenches (2 Required)

Model 310 Universal Carrier – Full Assembly View



Installation Instructions:

The Model 310 Universal Carrier comes with one hitch attachment for either a class 2 or class 3 hitch. (The class of hitch should have been specified at the time of order) Make sure the attachment included is for the correct class of hitch.

Attach the hitch attachment to the base of the carrier (**figure 1**) using the 1/2-13 x 3 1/2" hex head bolts and the 1/2-13 hex lock nuts.

Use one of the 3/4" wrenches to hold the first hex head bolt, while using the other 3/4" wrench to tighten the matching hex lock nut. Following the above, tighten the second hex lock nut and bolt.

Note: Make sure lock nuts are as tight as possible

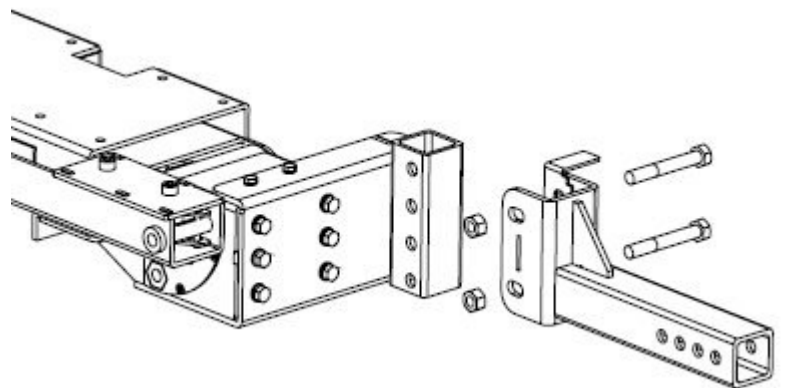


figure 1

Section III. Installing the Carrier (Continued)

Attach the assembled carrier base/hitch attachment to the hitch of the vehicle making sure that the base unit is parallel to the ground. Use the remaining 1/2-13 x 3 1/2" hex head bolt and 1/2-13 hex head lock nut to secure the unit in the hitch receiver.

Attach the platform to the carrier base/hitch attachment assembly using the 1/4-20 x 1/2" hex head bolts and the 1" OD washers. Make sure the holes of the platform are aligned with the threaded holes of the base (**figure 2**)

Make sure that the platform is parallel to the ground

Using the 7/16" hex socket, tighten all the bolts as much as possible.

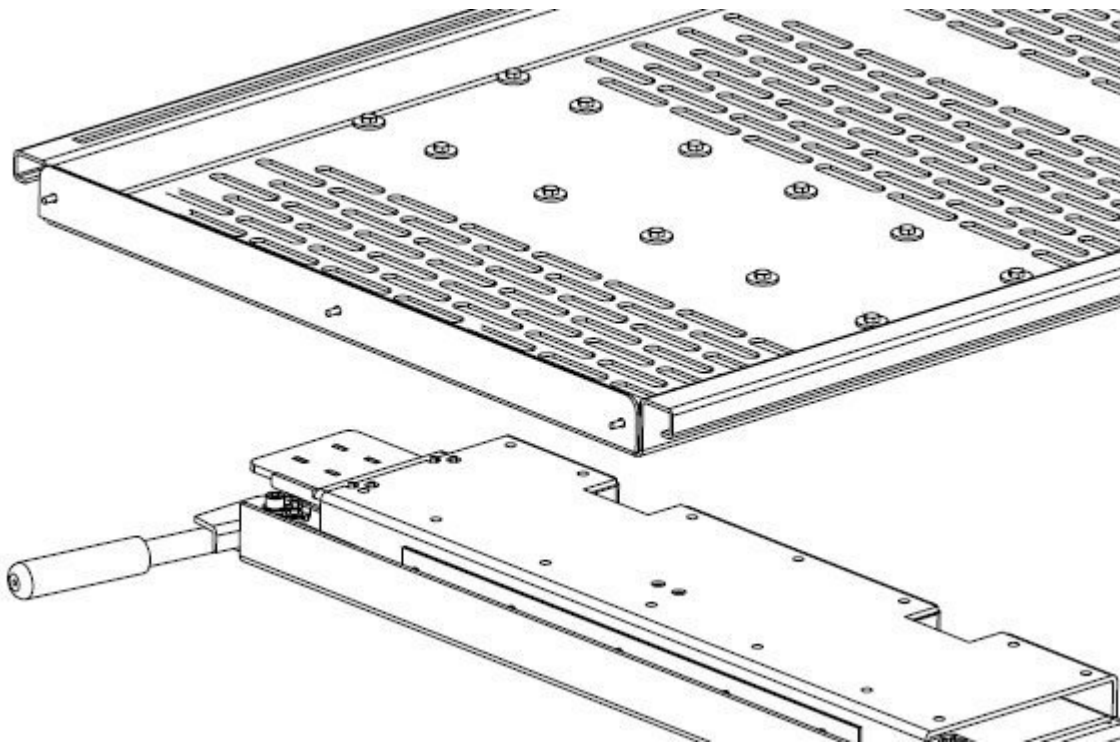


figure 2

Be sure to check the following prior to operation of the carrier:

- The carrier must be securely attached to the receiver of the hitch.
- The bottom of the carrier must be at least 8" - 16" from the ground and parallel. The angle of incline increases as you increase the height of the hitch connection. You will want to have the hitch connection as high as possible while still allowing easy loading of your chair/scooter.
- Inspect the carrier making sure that there are no damaged parts and that the carrier is in good operating condition
- Make sure the weight capacity of the carrier (225 LBS) will not be exceeded
- Make sure the tongue weight capacity of your hitch will not be exceeded

Section IV. Operating the Carrier

The Model 310 Universal Carrier has been designed with a step release to tilt the platform for loading and unloading of your scooter or powerchair. The carrier also includes a lift assist and will automatically lock in place when lifted to the storage position.

Loading the Carrier:

After verifying that there are no objects located underneath the carrier, press the step release to tilt the platform.

DO NOT Ride your powerchair or scooter onto the platform.

The powerchair or scooter **MUST** be loaded **BACKWARDS** onto the carrier platform for proper weight distribution. Carefully load your powerchair or scooter onto the platform making sure it passes the tilting point. The platform should then automatically lock into place.

If the carrier platform does not automatically lock into place, apply pressure to the end of the platform until a click is heard signifying the carrier is locked into position and secure.

Securing the Powerchair or Scooter:

A set of 3 ratchet straps are included with your Model 310 Universal Carrier. The ratchet straps **MUST** be used to secure your powerchair or scooter to the platform.

Determine the best way to secure your powerchair or scooter to the platform. Insert the hooks of the ratchet straps into the slots of the carrier, connect the buckle to the receiver of the strap then tighten. Make sure your powerchair or scooter is secure and does not move in any direction.

Make sure any removable items of your powerchair or scooter are secured or removed before transit.

The Model 321 Stop Plate (available for purchase separately) adds additional security by preventing powerchairs or scooters with larger tires from rolling off the platform when loading.

Unloading the Carrier:

Remove the 3 Ratchet Straps from the powerchair or scooter and the carrier platform.

After verifying that there are no objects located underneath the carrier, press the step release to tilt the platform.

Remove the powerchair or scooter from the platform.

DO NOT Ride your powerchair or scooter off of the platform.

Storage Position:

After removing the powerchair or scooter from the platform, press down on the end of the platform until it locks into place.

Pull the torsion spring handle towards you while lifting the carrier towards the vehicle. Lift the carrier until it is in the upright position then release the handle so that the carrier locks into place.

Section V. Maintenance & Safety

Maintenance:

The Model 310 Universal Carrier has been designed to be as trouble free as possible for the owner. As with any mechanical device however, maintenance should be performed regularly while owning and operating the carrier.

Dealers should schedule a preventative maintenance inspection at least once a year on the carrier frame, the tilting platform and all moving parts of the carrier.

For Owners, the Model 310 Universal Carrier should be considered an extension of your vehicle and be treated as such. As with your vehicle, the carrier will incur scratches, dents and other damage due to general wear and tear as well as inclement weather/climate conditions.

Perform the following maintenance procedures on a regular basis or as noted:

- Check and tighten all nuts and bolts on the carrier
- Check for paint chips and touch up any bare metal with a good black gloss enamel to inhibit rust
- Oil all working components with WD-40 every thirty days
- If the carrier is subjected to dirty/dusty conditions, road salt/salty air or other types of inclement weather conditions, perform the above maintenance on a more frequent basis.

Note: The Model 310 Universal Carrier is equipped with a replaceable wear post that helps protect the carrier from damage if it bottoms out during transport. Inspect the post on a regular basis and replace the post when it is worn down to the scribed line.

For further protection of your powerchair or scooter and carrier, the Model 166 carrier cover is available for purchase separately. The cover is made of black nylon cloth and has a Velcro closure.

Safety:

Inspect the carrier often for worn or damaged parts. If any parts of the carrier are found to be worn or damaged, **DO NOT** operate the carrier. Contact the dealer from which you purchased the carrier immediately to arrange for repair of the carrier.

Due to the additional weight on the rear of your vehicle, your vehicle may handle differently. Avoid driving your vehicle during inclement weather conditions until you are familiar with any handling changes to your vehicle. Always take extra care when driving your vehicle. Slow down for railroad tracks, speed bumps, pot holes or other roadway obstacles. Your carrier could be damaged due to abuse by means of rough driving.

NEVER exceed the weight capacity of the carrier (225 LBS)

NEVER exceed the tongue capacity of your hitch

When entering a steep driveway, **DO NOT** drive straight on. Slowly enter the driveway at an angle so that the carrier does not scrape the ground. Be sure to leave the driveway in the same manner.

Section VI. Optional Accessories

Several optional accessories are available for the Model 310 Universal Carrier, making this our most versatile carrier. Please visit the WheelChair Carrier website at www.wheelchaircarrier.com, contact your local authorized dealer or contact WheelChair Carrier direct if you would like more information regarding the accessories listed below.

Model 311 Slide Out Ramp

Simple to use and self storing, the Model 311 Slide Out Ramp adds 24 inches to the Platform for easier loading and unloading of your powerchair or scooter.

Model 312 Detachable Ramp

The Model 312 Detachable Ramp adds 22 inches to the Platform. Simply attach the ramp, load your chair, then detach the ramp and store while driving.

Model 321 Stop Plate

The Model 321 Stop Plate prevents powerchairs and scooters with larger tires from rolling off the Platform when loading.

Model 414 Height Adapter

The Model 414 Height Adapter provides additional height adjustment of the carrier for taller vehicles.

Model 130 Swing Away Option

Featuring one handed operation and requiring no locking pins, the Model 130 Swing Away Option allows you to easily swing away any carrier from your vehicles' trunk, lift gate or tailgate. (For class 3 hitches only)

Model 166 Cover

Our weather resistant transport covers are designed to completely encase your powerchair or scooter and the carrier. Our covers are made of black nylon cloth and have a Velcro closure.

Section VII. Warranty & Return Policy

1 Year Limited Warranty

Every effort has been made to insure high quality in material and workmanship of our products. Manufacturer warrants all products to be free of defects in material and/or workmanship for one (1) year from date of original purchase. **EXCEPTIONS:** All custom orders & electrical components have a 90-day warranty.

CARRIERS: All carriers are warranted to be free of defects in material and/or workmanship for one (1) year from date of original purchase when used in accordance with manufacturer installation and operating instructions. Electrical components are warranted for 90 days. This warranty **does not cover damage due to abuse, misuse, accident, or use of unauthorized attachments or modifications.** Protective finish coating on carriers is **not** guaranteed inasmuch as the manufacturer is not responsible for the use (abuse or natural wear and tear) of the product. The manufacturer and/or selling agents of carriers will not be responsible in any way for damage to, or loss of, item(s) being carried or falling from carriers or damages said item(s) may cause on or off carriers.

TRANSPORT COVERS: Transport covers are guaranteed free of defects in material or workmanship at purchase. Covers are not guaranteed against rips, holes, or damage due to improper installation, abuse, misuse, alteration, or environmental factors beyond our control.

Return Policy

All returns must be made within 30 days from the date of purchase unless due to defect. Written authorization must be obtained from Wheelchair Carrier, Inc. prior to the return of any merchandise for any reason, and all transportation costs must be prepaid. **NO RETURNS** on custom orders. Authorized returns for credit only are subject to a 25% restocking charge, plus any cost incurred in restoring the merchandise to a resalable condition. Freight charges cannot be credited.

WheelChair Carrier
203 Matzinger Road
Toledo, Ohio 43612

Phone: 419-478-4423
Fax: 419-476-1324

Please Visit Our Website
www.wheelchaircarrier.com